

ORDINANCE NO. 1788

AN ORDINANCE OF THE CITY COUNCIL OF THE CITY OF LA HABRA AMENDING TITLE 15 "BUILDINGS AND CONSTRUCTION" OF THE LA HABRA MUNICIPAL CODE, CHAPTER 15.46, ADOPTING THE 2017 COUNTY OF LOS ANGELES FIRE CODE

The City Council of the City of La Habra does ordain as follows:

Chapter 15.46 of Title 15 of the La Habra Municipal Code is hereby repealed in its entirety, and a new Chapter 15.46 is hereby added in place thereof to read as follows:

Chapter 15.46

FIRE CODE

Sections:

15.46.010 Adoption of 2017 County of Los Angeles Fire Code.

15.46.020 Amendment to the 2017 County of Los Angeles Fire Code.

15.46.010 Adoption of 2017 County of Los Angeles Fire Code.

COUNTY OF LOS ANGELES FIRE CODE BY REFERENCE: Except as hereinafter provided, Title 32, of the Los Angeles County Code, which constitutes an amended version of the California Fire Code, 2016 Edition (Part 9 of Title 24 of the California Code of Regulations), Chapters 1 through 80, Appendix B, Appendix BB, Appendix C, Appendix CC, and Appendix K and excluding all other appendices of the 2016 Edition of the California Fire Code with errata, and adopting and incorporating herein by reference into Title 32 of the Los Angeles Fire County Code, the 2015 Edition of the International Fire Code, Chapters 1 through 7, Chapters 9 and 10, Chapters 20 through 36, Chapters 50 through 55, Chapters 57 through 67 and Chapter 80, for sections that were not adopted as part of the 2016 California Fire Code is adopted.

In the event of any conflict between provisions of the California Fire Code, 2016 Edition, International Fire Code, 2015 Edition, Title 32 of the Los Angeles County Fire Code, or any amendment to the Fire Code contained in the City of La Habra Municipal Code, the provisions contained in the later listed document shall control.

15.46.020 Amendment to the 2017 County of Los Angeles Fire Code.

The 2017 County of Los Angeles Fire Code is hereby adopted with the following amendment.

Wherever the County of Los Angeles Fire Code requires a fee(s) to be paid to the Fire Department, such fee(s) shall be paid to the City of La Habra.

PASSED, APPROVED, AND ADOPTED at a regular meeting of the City Council of the City of La Habra held on the 20th day of November 2017.

Rose Espinoza, Mayor

Tamara D. Mason, MMC, City Clerk

STATE OF CALIFORNIA)
COUNTY OF ORANGE) SS.
CITY OF LA HABRA)

I, Tamara D. Mason, City Clerk of the City of La Habra, do hereby certify that the above and foregoing is a true and correct copy of Ordinance No. 1788 introduced at a regular meeting of the City Council of the City of La Habra held on the 6th day of November 2017, and was thereafter adopted at a regular meeting held on the 20th day of November 2017, by the following vote:

AYES: COUNCILMEMBERS: Beamish, Shaw, Gomez, Blazey, Espinoza
NOES: COUNCILMEMBERS: None
ABSENT: COUNCILMEMBERS: None
ABSTAIN: COUNCILMEMBERS: None

Said ordinance has been published or posted pursuant to law.

Witness my hand and the official seal of the City of La Habra this 20th day of November 2017.

Tamara D. Mason, MMC, City Clerk

Attachment 2

**2017 COUNTY OF LOS ANGELES FIRE CODE AMENDMENTS TO THE
2016 CALIFORNIA FIRE CODE**

SECTION 1. The following Chapters of Title 32 are hereby repealed in their entirety:

Chapter 1 (SCOPE AND ADMINISTRATION)

Chapter 2 (DEFINITIONS)

Chapter 4 (EMERGENCY PLANNING AND PREPAREDNESS)

Chapter 5 (FIRE SERVICE FEATURES)

Chapter 6 (BUILDING SERVICES AND SYSTEMS)

Chapter 7 (FIRE-RESISTANCE-RATED CONSTRUCTION)

Chapter 9 (FIRE PROTECTION SYSTEMS)

Chapter 10 (MEANS OF EGRESS)

Chapter 11 (CONSTRUCTION REQUIREMENTS FOR EXISTING BUILDINGS)

Chapter 20 (AVIATION FACILITIES)

Chapter 21 (DRY CLEANING)

Chapter 22 (COMBUSTIBLE DUST-PRODUCING OPERATIONS)

Chapter 23 (MOTOR FUEL-DISPENSING FACILITIES AND REPAIR GARAGES)

Chapter 24 (FLAMMABLE FINISHES)

Chapter 25 (FRUIT AND CROP RIPENING)

Chapter 26 (FUMIGATION AND INSECTICIDAL FOGGING)

Chapter 27 (SEMICONDUCTOR FABRICATION FACILITIES)

Chapter 28 (LUMBER YARDS AND WOODWORKING FACILITIES)

Chapter 29 (MANUFACTURE OF ORGANIC COATINGS)

Chapter 30 (INDUSTRIAL OVENS)

Chapter 31 (TENTS AND OTHER MEMBRANE STRUCTURES)

Chapter 32 (HIGH-PILED COMBUSTIBLE STORAGE)

Chapter 33 (FIRE SAFETY DURING CONSTRUCTION AND DEMOLITION)

Chapter 34 (TIRE REBUILDING AND TIRE STORAGE)

Chapter 35 (WELDING AND OTHER HOT WORK)

Chapter 36 (MARINAS)

Chapter 50 (HAZARDOUS MATERIALS—GENERAL PROVISIONS)

Chapter 51 (AEROSOLS)

Chapter 52 (COMBUSTIBLE FIBERS)

Chapter 53 (COMPRESSED GASES)

Chapter 54 (CORROSIVE MATERIALS)

Chapter 55 (CRYOGENIC FLUIDS)

Chapter 58 (FLAMMABLE GASES AND FLAMMABLE CRYOGENIC FLUIDS)

Chapter 59 (FLAMMABLE SOLIDS)

Chapter 60 (HIGHLY TOXIC AND TOXIC MATERIALS)

Chapter 61 (LIQUEFIED PETROLEUM GASES)

Chapter 62 (ORGANIC PEROXIDES)

Chapter 63 (OXIDIZERS, OXIDIZING GASES AND OXIDIZING CRYOGENIC FLUIDS)

Chapter 64 (PYROPHORIC MATERIALS)

Chapter 65 (PYROXYLIN (CELLULOSE NITRATE) PLASTICS)

Chapter 66 (UNSTABLE (REACTIVE) MATERIALS)

Chapter 67 (WATER-REACTIVE SOLIDS AND LIQUIDS)

Chapters 68-79 (RESERVED)

Chapter 80 (REFERENCED STANDARDS)

Chapter 81 (AUTOMOBILE WRECKING YARDS)

Chapter 82 (INFRACTIONS)

Chapter 83 (CONSOLIDATED FIRE PROTECTION DISTRICT OF LOS ANGELES FIRE CODE)

APPENDIX B (FIRE-FLOW REQUIREMENTS FOR BUILDINGS)

APPENDIX BB (FIRE-FLOW REQUIREMENTS FOR BUILDINGS)

APPENDIX C (FIRE HYDRANT LOCATIONS AND DISTRIBUTION)

APPENDIX CC (FIRE HYDRANT LOCATIONS AND DISTRIBUTION)

APPENDIX K (TEMPORARY HAUNTED HOUSES, GHOST WALKS AND SIMILAR AMUSEMENT USES)

APPENDIX L (RIFLE RANGE)

APPENDIX M (LOCAL AGENCY VERY HIGH FIRE HAZARD SEVERITY ZONES)

SECTION 2. The following sections of Title 32 are hereby repealed in their entirety:

Section 301 (General)

Section 302 (Definitions)

Section 303 (Asphalt Kettles)

Section 304 (Combustible Waste Material)

Section 305 (Ignition Sources)

Section 306 (Motion Picture Projection Rooms and Film)

Section 307 (Open Burning, Recreational Fires and Portable Outdoor Fireplaces)

Section 308 (Open Flames)

Section 309 (Powered Industrial Trucks and Equipment)

Section 310 (Smoking)

Section 311 (Vacant Premises)

Section 312 (Vehicle Impact Protection)

Section 313 (Fueled Equipment)

Section 314 (Indoor Displays)

Section 315 (General Storage)

Section 316 (Hazards to Fire Fighters)

Section 317 (Rooftop Gardens and Landscaped Roofs)

Section 318 (Laundry Carts)

Section 319 – 323 (Reserved)

Section 324 (Parade Floats)

Section 325 (Clearance of Brush and Vegetative Growth)

Section 326 (Activities in Hazardous Fire Areas)

Section 327 (Administrative Fines)

Section 328.8.1

Section 328.8.2

Section 328.8.3

Section 328.8.4

Section 328.8.5

Section 328.8.6

Section 328.8.7

Section 328.9.2.2

Section 328.9.2.3

Section 328.9.2.4

Section 328.9.2.5

Section 328.9.2.6

Section 328.9.2.7

Section 328.9.2.8

Section 328.10 (Land Development Plan Reviews Located within Fire Hazard
Severity Zones)

Section 328.11 (Annual Review of Fees)

Section 4801 (General)

Section 4802 (Occupancy Classification)

Section 4803.1 (Change in use)

Section 4803.2 (Additional permits)

Section 4803.3 (Live audiences)

Section 4804 (General Requirements)

Section 4805 (Fire-Extinguishing Systems)

Section 4806 (Fire Detection Equipment)

Section 4807 (Fire Safety Officers)

Section 4808 (Electrical Requirements)

Section 4809 (Mechanical Equipment)

Section 4810 (Design Requirements)

Section 4811 (Production Locations)

Section 4901 (General)

Section 4902 (Definitions)

Section 4903 (Plans – Reserved)

Section 4904 (Fire Hazard Severity Zones)

Section 4905 (Wildfire Protection Building Construction)

Section 4906 (Hazardous Vegetation and Fuel Management)

Section 4907 (Defensible Space)

Section 4908.1 (Fuel Modification plan in fire hazard severity zones)

Section 4908.1.1 (Plan modification)

Section 4908.1.2 (Penalties)

Section 4908.2 (Appeals)

Section 5601.1 (Scope)

Section 5601.2 (Permits)

Section 5601.3 (Fireworks)

Section 5601.4 (Model rockets and experimental high power rockets)

Sections 5602 – 5607 (Reserved)

Section 5608 (Fireworks Display)

Section 5609 (Seizure of Explosives, Explosive Materials, and Fireworks)

Section 5701 (General)

Section 5702 (Definitions)

Section 5703 (General Requirements)

Section 5704 (Storage)

Section 5705 (Dispensing, Use, Mixing and Handling)

Section 5706.1 (General)

Section 5706.2 (Storage and dispensing of flammable and combustible liquids on farms and construction sites)

Section 5706.2.1 (Combustibles and open flames near tanks)

Section 5706.2.2 (Marking of tanks and containers)

Section 5706.2.3 (Containers for storage and use)

Section 5706.2.4 (Permanent and temporary tanks)

Section 5706.2.4.1 (Fill-opening security)

Section 5706.2.4.2 (Vents)

Section 5706.2.4.3 (Location)

Section 5706.2.4.4 (Locations where aboveground tanks are prohibited)

Section 5706.2.5 (Type of tank)

Section 5706.2.5.1 (Tanks with top openings only)

Section 5706.2.5.1.1 (Pumps and fittings)

Section 5706.2.5.2 (Tanks for gravity discharge)

Section 5706.2.6 (Spill control drainage control and diking)

Section 5706.2.7 (Portable fire extinguishers)

Section 5706.2.8 (Dispensing from tank vehicles)

Section 5706.2.8.1 (Location)

Section 5706.3 (Well drilling and operating)

Section 5706.3.1 (Location)

Section 5706.3.1.1 (Storage tanks and sources of ignition)

Section 5706.3.1.2 (Streets and railways)

Section 5706.3.1.3 (Buildings)

Section 5706.3.1.3.1 (Group A, E, or I buildings)

Section 5706.3.1.3.2 (Existing wells)

Section 5706.3.1.4 (Zoning regulations)

Section 5706.3.2 (Waste control)

Section 5706.3.2.1 (Discharge on a street or water channel)

Section 5706.3.2.2 (Discharge and combustible materials on ground)

Section 5706.3.3 (Sumps)

Section 5706.3.3.1 (Maximum width)

Section 5706.3.3.2 (Backfilling)

Section 5706.3.3.3 (Security)

Section 5706.3.4 (Prevention of blowouts)

Section 5706.3.5 (Storage tanks)

Section 5706.3.6 (Soundproofing)

Section 5706.3.7 (Signs)

Section 5706.3.8 (Field-loading racks)

Section 5706.4 (Bulk plants or terminals)

Section 5706.4.1 (Building construction)

Section 5706.4.2 (Means of egress)

Section 5706.4.3 (Heating)

Section 5706.4.4 (Ventilation)

Section 5706.4.4.1 (Basement and pits)

Section 5706.4.4.2 (Dispensing of Class I liquids)

Section 5706.4.5 (Storage)

Section 5706.4.6 (Overfill protection of Class I and II liquids)

Section 5706.4.7 (Wharves)

Section 5706.4.7.1 (Transferring approvals)

Section 5706.4.7.2 (Transferring location)

Section 5706.4.7.3 (Superstructure and decking material)

Section 5706.4.7.4 (Tanks allowed)

Section 5706.4.7.5 (Transferring equipment)

Section 5706.4.7.6 (Piping, valves and fittings)

Section 5706.4.7.7 (Loading and unloading)

Section 5706.4.7.8 (Mechanical work)

Section 5706.4.8 (Sources of ignition)

Section 5706.4.9 (Drainage control)

Section 5706.4.10 (Fire protection)

Section 5706.4.10.1 (Portable fire extinguishers)

Section 5706.4.10.2 (Fire hoses)

Section 5706.4.10.3 (Obstruction of equipment)

Section 5706.4.10.4 (Fire apparatus access)

Section 5706.5 (Bulk transfer and process transfer operations)

Section 5706.5.1 (General)

Section 5706.5.1.1 (Location)

Section 5706.5.1.2 (Weather protection canopies)

Section 5706.5.1.3 (Ventilation)

Section 5706.5.1.4 (Sources of ignition)

Section 5706.5.1.5 (Spill control and secondary containment)

Section 5706.5.1.6 (Fire protection)

Section 5706.5.1.7 (Static protection)

Section 5706.5.1.8 (Stray current protection)

Section 5706.5.1.9 (Top loading)

Section 5706.5.1.10 (Bottom loading)

Section 5706.5.1.10.1 (Dry disconnect coupling)

Section 5706.5.1.10.2 (Venting)

Section 5706.5.1.10.3 (Vapor-tight connection)

Section 5706.5.1.10.4 (Vapor-processing equipment)

Section 5706.5.1.11 (Switch loading)

Section 5706.5.1.12 (Loading racks)

Section 5706.5.1.13 (Transfer apparatus)

Section 5706.5.1.14 (Inside buildings)

Section 5706.5.1.15 (Tank vehicle and tank car certification)

Section 5706.5.1.16 (Tank vehicle and tank car stability)

Section 5706.5.1.16.1 (Tank vehicles)

Section 5706.5.1.16.2 (Chock blocks)

Section 5706.5.1.16.3 (Tank cars)

Section 5706.5.1.17 (Monitoring)

Section 5706.5.1.18 (Security)

Section 5706.5.1.19 (Liquid transfer)

Section 5706.5.2 (Bulk transfer)

Section 5706.5.2.1 (Vehicle motor)

Section 5706.5.3 (Process transfer)

Section 5706.5.3.1 (Piping, valves, hoses and fittings)

Section 5706.5.3.1.1 (Shutoff valves)

Section 5706.5.3.1.2 (Hydrostatic relief)

Section 5706.5.3.1.3 (Antisiphon valves)

Section 5706.5.3.2 (Vents)

Section 5706.5.3.3 (Motive power)

Section 5706.5.4 (Dispensing from tank vehicles and tank cars)

Section 5706.5.4.1 (Marine craft and special equipment)

Section 5706.5.4.2 (Emergency refueling)

Section 5706.5.4.3 (Aircraft fueling)

Section 5706.5.4.4 (Fueling of vehicles at farms, construction sites and similar areas)

Section 5706.5.4.5 (Commercial, industrial, governmental, or manufacturing)

Section 5706.5.4.6 (Time Limit for Unloading and Permit)

Section 5706.6 (Tank vehicles and vehicle operation)

Section 5706.6.1 (Operation of tank vehicles)

Section 5706.6.1.1 (Vehicle maintenance)

Section 5706.6.1.2 (Leaving vehicle unattended)

Section 5706.6.1.3 (Vehicle motor shutdown)

Section 5706.6.1.4 (Outage)

Section 5706.6.1.5 (Overfill protection)

Section 5706.6.1.6 (Securing hatches)

Section 5706.6.1.7 (Liquid temperature)

Section 5706.6.1.8 (Bonding to underground tanks)

Section 5706.6.1.9 (Smoking)

Section 5706.6.1.10 (Hose connections)

Section 5706.6.1.10.1 (Simultaneous delivery)

Section 5706.6.1.11 (Hose protection)

Section 5706.6.1.12 (Transfer of Cargo)

Section 5706.6.2 (Parking)

Section 5706.6.2.1 (Parking near residential, educational and institutional occupancies and other high-risk areas)

Section 5706.6.2.2 (Parking on thoroughfares)

Section 5706.6.2.3 (Duration exceeding 1 hour)

Section 5706.6.3 (Garaging)

Section 5706.6.4 (Portable fire extinguisher)

Section 5706.7 (Refineries)

Section 5706.7.1 (Corrosion protection)

Section 5706.7.2 (Cleaning of tanks)

Section 5706.7.3 (Storage of heated petroleum products)

Section 5706.8 (Vapor recovery and vapor-processing systems)

Section 5706.8.1 (Over-pressure/vacuum protection)

Section 5706.8.2 (Vent location)

Section 5706.8.3 (Vapor collection systems and overflow protection)

Section 5706.8.4 (Liquid-level monitoring)

Section 5706.8.5 (Overflow protection)

SECTION 3. Section 100 is hereby added to read as follows:

CODE ADOPTION BY REFERENCE: Except as hereinafter changed and modified, Chapters 1 through 80; and Appendix B, Appendix BB, Appendix C, Appendix CC, of the 2016 Edition of the California Fire Code, including errata and supplements, published by the California Building Standards Commission, and Chapters 1 through 7, Chapters 9 and 10, Chapters 20 through 36, Chapters 50 through 55, Chapters 57 through 67, Chapter 80, Appendix D and Appendix N of the 2015 Edition of the International Fire Code, published by the International Code Council, for sections that were not adopted as part of the 2016 California Fire Code are hereby adopted by reference and incorporated into this Title 32 of the Los Angeles County Code as if set forth fully below, and, as amended to include Chapters 81 - 83 and Appendices O, P, and Q, shall be known as Chapters 1 through 83, Appendix B, Appendix BB, Appendix C, Appendix CC, Appendix D, Appendix N, Appendix O, Appendix P and Appendix Q of Title 32 of the Los Angeles County Code.

A copy of the 2016 Edition of the California Fire Code, with errata and supplements, and a copy of the 2015 International Fire Code shall be at all times maintained by the Executive Office of the Board of Supervisors for use and examination by the public.

Unless expressly repealed or amended herein, the previously enacted provisions of Title 32 of the Los Angeles County Code shall remain in full force and effect.

SECTION 4. Section 101.1 is hereby amended to read as follows:

101.1 Title.

These regulations shall be known as the Fire Code of Title 32 of the Los Angeles County Code shall be known as the LOS ANGELES COUNTY FIRE CODE, hereinafter referred to as "this code."

SECTION 5. Section 101.2 is hereby amended to read as follows:

101.2 Scope.

This code establishes regulations affecting or relating to structures, processes, premises, and safeguards regarding:

...

5. Conditions affecting the safety of the ~~fire fighters~~firefighters and emergency responders during emergency operations, and

6. Fire hydrant systems, water supply, fire equipment access, posting of fire equipment access, parking, lot identification, weed abatement, and combustible brush and vegetation that represents an imminent fire hazard, debris abatement, combustible storage abatement including flammable liquid storage, hazardous material storage and use, open-flame and open-burning, and burglar bars at State-regulated mobile home and special occupancy parks within the jurisdiction of the County of Los Angeles Fire Department as per California Health and Safety Code Sections 18691 and 18873.5.

SECTION 6. Section 101.2.1 is hereby amended to read as follows:

101.2.1 Appendices.

Provisions in the appendices shall not apply unless specifically adopted. Only Appendix B, Appendix BB, Appendix C, and Appendix CC, from the 2016 California

State Fire Code have been incorporated into this code. This code also adopts Appendix D, Appendix N, Appendix O, Appendix P, and Appendix Q.

SECTION 7. Section 101.3 is hereby amended to read as follows:

101.3 Intent.

The purpose of this code is to establish the minimum requirements consistent with nationally recognized good practice for providing a reasonable level of life safety and property protection from the hazards of fire, explosion, or dangerous conditions in new and existing buildings, structures, and premises, and to provide a reasonable level of safety to ~~fire fighters~~firefighters and emergency responders during emergency operations. Consistent with this purpose, the provisions of this code are intended, and have always been intended, to confer a benefit on the community as a whole and are not intended to establish a duty of care toward any particular person.

This code shall not be construed to hold the County, the County of Los Angeles Consolidated Fire Protection District, or any officer, employee, or agent thereof responsible for any damage to persons or property by reason of any inspection authorized herein or by reason of the issuance or non-issuance of any permit authorized herein, and/or for any action or omission in connection with the application and/or enforcement of this code. By adopting the provisions of this code, the County, any district member city, or the County of Los Angeles Consolidated Fire Protection District, does not intend to impose on itself, its employees, or agents any mandatory duties of care toward persons and property within its jurisdiction so as to provide a basis of civil liability for damages. This section is declaratory of existing law and is not to be

construed as suggesting that such was not the purpose and intent of previous code adoptions.

SECTION 8. Section 101.6 is hereby added to read as follows:

101.6 Amendments.

When reference is made to a portion of this code or other applicable laws or ordinances, the reference applies to all amendments and additions now or hereafter made. Where there is a conflict between amendments, unless otherwise expressly noted, the most recent amendment shall apply.

SECTION 9. Section 101.7 is hereby added to read as follows:

101.7 California Fire Code Errata and Supplements.

When the California Building Standard Commission approves and publishes errata or supplement to the California Fire Code, Title 24, Part 9, any change made that affects the requirement or meaning of any amendment found in this ordinance shall not necessarily void or alter the requirement of that amendment. The fire code official shall render the interpretation and intent of the amendment with the new language of the errata or supplement as per Section 104.1.

SECTION 10. Section 102.5 is hereby amended to read as follows:

102.5 Application of rResidential eCode.

Where structures are designed and constructed in accordance with the California Residential Code, the provisions of this code shall apply as follows:

1. Construction and design provisions: Provisions of this code pertaining to the exterior of the structure shall apply including, but not limited to, premises

identification, fire apparatus access, and water supplies. Provisions of this code pertaining to the interior of the structure shall apply when specifically required by this code including, but not limited to, Section 903.2.11.7. Where interior or exterior systems or devices are installed, construction permits required by Section 105.7 of this code shall also apply.

2. Administrative, operational, and maintenance provisions: All such provisions of this code shall apply.

SECTION 11. Section 103.2 is hereby amended to read as follows:

103.2 ~~Appointment~~Fire Marshal.

~~The fire code official shall be appointed by the chief appointing authority of the jurisdiction; and the fire code official shall not be removed from office except for cause and after full opportunity to be heard on specific and relevant charges by and before the appointing authority.~~An administrative officer of the prevention services bureau shall be appointed the fire marshal by the chief of the Fire Department from among the chief officers of the Fire Department.

SECTION 12. Section 103.2.1 is hereby added to read as follows:

103.2.1 Health Hazardous Materials Division and Forestry Division Staff.

The provisions of this code may be enforced by any duly authorized member of the health hazardous materials division or the Forestry Division of the Fire Department.

SECTION 13. Section 103.2.2 is hereby added to read as follows:

103.2.2 Enforcement by Commissioner.

The provisions of Section 325 of this code may be enforced by the Agricultural Commissioner of the County of Los Angeles.

SECTION 14. Section 103.4 is hereby amended to read as follows:

103.4 Liability.

The fire code official, member of the ~~board of appeals~~fire code appeals review panel, officer, or employee charged with the enforcement of this code, while acting for the jurisdiction, in good faith and without malice in the discharge of the duties required by this code or other pertinent law or ordinance, shall not thereby be rendered civilly or criminally liable personally, and is hereby relieved from all personal liability for any damage accruing to persons or property as a result of an act or by reason of an act or omission in the discharge of official duties.

SECTION 15. Section 104.1 is hereby amended to read as follows:

104.1 General.

The fire code official is hereby authorized to enforce the provisions of this code and shall have the authority to render interpretations of this code, and to adopt policies, procedures, rules, and regulations in order to implement its provisions or to clarify the application of its provisions. Such interpretations, policies, procedures, rules, and regulations shall be ~~in compliance~~ consistent with the intent and purpose of this code and shall not have the effect of waiving requirements specifically provided for in this code. A copy of such interpretations, rules, and regulations shall be filed with the Executive Office of the Board of Supervisors and shall be in effect immediately thereafter.

SECTION 16. Section 104.1.1 is hereby added to read as follows:

104.1.1 Enforcement Authority.

Under the Fire Chief's direction, members of the Fire Department are authorized to enforce all ordinances of the jurisdiction and the laws of the State pertaining to:

1. The prevention of fires.
2. The suppression or extinguishment of dangerous or hazardous fires.
3. The storage, use, and handling of hazardous materials.
4. The installation and maintenance of automatic, manual, and other private fire alarm systems and fire-extinguishing equipment.
5. The maintenance and regulation of fire escapes.

6. The maintenance of fire protection and the elimination of fire hazards on land and in buildings, structures, and other property, including those under construction.
7. The maintenance of means of egress.
8. The investigation of the cause, origin, and circumstances of fire and unauthorized releases of hazardous materials.
9. Brush clearance.
10. All other matters within the scope of this code.

Note: For authority related to control and investigation of emergency scenes, see Section 104.11.

SECTION 17. Section 104.5.1 is hereby added to read as follows:

104.5.1 Fire and Law Enforcement Personnel.

The fire code official and designated representatives of the fire code official may issue citations for violations of this code, of the regulations authorized by this code, and of the standards as set forth in Chapter 82 of this code.

When requested to do so by the fire code official, the chief of any law enforcement agency is authorized to assign such available law enforcement officers as necessary to assist the Fire Department in enforcing the provisions of this code.

SECTION 18. Section 104.9 is hereby amended to read as follows:

104.9 Alternative ~~m~~Materials and ~~m~~Methods.

The provisions of this code are not intended to prevent the installation of any material or to prohibit any method of construction not specifically prescribed by this code, provided that any such alternative has been approved. The fire code official is

authorized to approve an alternative material or method of construction where the fire code official finds that the proposed design is satisfactory and complies with the intent of the provisions of this code, and that the material, method or work offered is, for the purpose intended, at least the equivalent of that prescribed in this code in quality, strength, effectiveness, fire resistance, durability and safety. Requests for approval to use an alternate material, assembly of materials, equipment, method of construction, method of installation of equipment or means of protection shall be made in writing to the fire marshal by the owner or the owner's authorized representative and shall be accompanied by a justification that is supported by evidence to substantiate any claim being made regarding the requested alternative and its compliance with the intent of this code. The fire marshal may require independent tests be performed by an approved testing organization in order to substantiate the proposed alternative.

Approval of a request for use of an alternative material, assembly of materials, equipment, method of construction, method of installation of equipment or means of protection made pursuant to these provisions shall be limited to the particular case covered by the request and shall not be construed as establishing any precedent for any future request. Where the alternative material, design or method of construction is not approved, the fire code official shall respond in writing, stating the reasons why the alternative was not approved.

SECTION 19. Section 104.10 is hereby amended to read as follows:

104.10 Fire Investigations.

The fire code official, ~~the Fire Department or other responsible authority or~~ authorized personnel shall have the authority to investigate promptly the cause, origin, and circumstances of any fire, hazardous material incident, explosion, or other hazardous condition which is of suspicious origin. The investigator is authorized to take immediate charge of all physical evidence relating to the cause of the incident, and to pursue the investigation to its conclusion under the direction of the Fire Chief or an authorized deputy Fire Chief, in cooperation with the appropriate law enforcement agency. Information that could be related to trade secrets or processes shall not be made part of the public record, except as directed by a court of law.

SECTION 20. Section 104.11.4 is hereby added to read as follows:

104.11.4 Private Firefighting Resources.

Any private firefighting resource must possess a valid operational permit to conduct firefighting operations, provide fire protection operations, or to apply resistive treatment to structures or vegetation in an emergency area.

SECTION 21. Section 104.11.4.1 is hereby added to read as follows:

104.11.4.1 Requirement to Obey Orders.

Any private firefighting resource must obey all permit requirements, regulations, and legal orders, including evacuation orders, given by the incident commander or incident commander's designee within an emergency area.

SECTION 22. Section 104.11.4.2 is hereby added to read as follows:

104.11.4.2 Required Check-in.

Upon arriving at the emergency area, any private firefighting resource shall check-in with the incident commander or incident commander's designee.

SECTION 23. Section 104.11.4.3 is hereby added to read as follows:

104.11.4.3 Permit Required.

A valid operational permit shall be obtained by private firefighting resources as set forth in Section 105.6.

SECTION 24. Section 104.11.4.4 is hereby added to read as follows:

104.11.4.4 Permit Display.

Each private firefighting resource vehicle must display a copy of the valid private firefighting resources permit in clear view from the exterior of the vehicle.

SECTION 25. Section 105.1.1.1 is hereby added to read as follows:

105.1.1.1 Payment of Permit Fees.

Full payment of any permit fees required by this code shall be made prior to issuance of any permit required by this code, including but not limited to Section 105. The amount of permit fees shall be set forth in Appendix Q to this code.

SECTION 26. Section 105.4.2 is hereby amended to read as follows:

105.4.2 Information on eConstruction Documents.

Construction documents shall be drawn to scale ~~upon suitable material on~~ substantial paper. Electronic media documents are allowed to be submitted when approved by the fire code official. Construction documents shall be of sufficient clarity

to indicate the location, nature, and extent of the work proposed and show in detail that it will conform to the provisions of this code and relevant laws, ordinances, rules, and regulations as determined by the fire code official. The first sheet of each set of plans shall give the street address of the property, the assessor's parcel number, the name and address of the owner, and persons who prepared the plans. Plans shall also include a plot plan showing the location of the proposed building and of every existing building on the property.

SECTION 27. Section 105.4.4.2 is hereby added to read as follows:

105.4.4.2 Expiration of Construction Documents Approval by Fire Code Official When No Building Permit Issued.

A fire code official construction document approval necessary for a building permit to be issued, for which the building official ultimately does not issue a building permit, shall expire one year after the date of approval by the fire code official. Construction documents including plans, specifications, and computations previously submitted may thereafter be returned to the applicant or destroyed by the fire code official. The fire code official may extend the time for action by the applicant for a period of six months beyond the one-year limit upon written request by the applicant showing that circumstances beyond the control of the applicant have prevented action from being taken. No construction or plan approval document shall be extended more than once.

Once a construction document approval and any extension thereof has expired, the applicant shall resubmit construction documents including plans, specifications, and

computations. Construction document approval for which a building permit has been issued and thereafter expired according to the Building Code shall be null and void. In such circumstances, construction documents including plans, specifications, and computations shall be resubmitted for construction document approval.

SECTION 28. Section 105.4.6 is hereby amended to read as follows:

105.4.6 Retention of eConstruction dDocuments.

One set of construction documents shall be retained by the fire code official for a period of not less than ~~480~~90 days from date of completion of the permitted work, or as required by ~~state or local laws~~Section 19850 of the California Health and Safety Code. One set of approved construction documents shall be returned to the applicant, and said set shall be kept on the site of the building or work at all times during which the work authorized thereby is in progress.

SECTION 29. Section 105.6 is hereby amended to read as follows:

105.6 Required eOperational pPermits.

The fire code official is authorized to issue operational permits for any activities within the scope of this code, the operations including but not limited to those set forth in Sections 105.6.1 through 105.6.49.

SECTION 30. Section 105.6.1.1 is hereby added to read as follows:

105.6.1.1 Activities in Hazardous Fire Areas.

An operational permit is required for any of the activities as described in Section 326.2 of this code.

SECTION 31. Section 105.6.3.1 is hereby added to read as follows:

105.6.3.1 Battery System.

An operational permit is required to install or operate stationary lead-acid battery systems having a liquid capacity of more than 100 gallons (378.5 L). See Chapter 6.

SECTION 32. Section 105.6.3.2 is hereby added to read as follows:

105.6.3.2 Bonfires or Rubbish Fires.

An operational permit is required to kindle or maintain or authorize the kindling or maintenance of bonfires or rubbish fires. See Chapter 3.

SECTION 33. Section 105.6.10 is hereby amended to read as follows:

105.6.10 Covered and ~~Open~~ Mall ~~Buildings~~.

An operational permit is required for:

1. The placement of retail fixtures and displays, concession equipment, displays of highly combustible goods, and similar items in the mall.
2. The display of liquid- or gas-fired equipment in the mall.
3. The use of open-flame or flame-producing equipment in the mall.
4. The use of a mall as a place of assembly.

SECTION 34. Section 105.6.15 is hereby amended to read as follows:

105.6.15 Explosives.

An operational permit is required for the manufacture, storage, handling, sale, or use of any quantity of explosives, explosive materials, fireworks, or pyrotechnic special effects within the scope of Chapter 56 of this code, or when a local permit or approval from the Fire Chief is required by the California Code of Regulations, Title 19, Division

1, Chapter 6 - Fireworks, or Chapter 10 - Explosives. See Health and Safety Code Division 11, Part 1, Section 12000, et seq. for additional requirements.

Exceptions: ~~Storage in Group R-3 occupancies of smokeless propellant, black powder and small arms primers for personal use, not for resale and in accordance with Section 5606.~~

1. Small arms ammunition of .75 caliber or less, cartridges for propellant-actuated power devices and cartridges for industrial guns, 20 pounds or less of smokeless powder, five pounds or less of black sporting powder providing such smokeless or black sporting powder is for the hand loading of small arms or small arms ammunition of .75 caliber or less and that it is for personal use and not for resale.

2. The possession, storage, sales, handling, and use of California State Fire Marshal classified safe and sane fireworks as allowed by State law and local ordinance in accordance with California Health and Safety Code Section 12541.1.

3. The possession, storage, sales, handling, and use of California State Fire Marshal classified snap caps or party poppers pyrotechnic devices in accordance with California Code of Regulations, Title 19, Public Safety.

SECTION 35. Section 105.6.17 is hereby amended to read as follows:

105.6.17 Flammable and ~~e~~Combustible ~~L~~Liquids.

An operational permit is required:

...

6. To operate tank vehicles, equipment, tanks, plants, terminals, wells, including natural gas wells, fuel-dispensing stations, refineries, distilleries, and similar

facilities where flammable and combustible liquids are produced, processed, transported, stored, dispensed, or used. The applicant is required to pay the permit fee amount shown in Section 5706.3.9 prior to permit issuance for a well.

...

12. Allow a tank car to remain on a siding at the point of delivery while connected for transfer operations. Transfer operations shall be in accordance with Department of Transportation requirements and this code.

SECTION 36. Section 105.6.21 is hereby amended to read as follows:

105.6.21 Hazardous ~~m~~Materials.

An operational permit is required to store, transport on site, dispense, use, or handle hazardous materials in excess of the amount listed in Table 105.6.21. In addition, unified program facility permits required by Chapters 12.50, 12.52, and 12.64 of the County Code and full payment of permit fees shall be obtained prior to the issuance of any fire code permit required by this code.

SECTION 37. Section 105.6.23 is hereby amended to read as follows:

105.6.23 High-~~p~~Piled ~~e~~Combustible ~~s~~Storage.

An operational permit is required to use a building or portion thereof as a high-piled storage area exceeding 500 square feet (46 m²). In addition to any of the requirements of Chapter 32 of this code, a letter describing the type and amount of material to be stored and the method of storage, plus a floor plan showing the dimension and location of the stockpiles and aisles shall be submitted with applications for such permits.

SECTION 38. Section 105.6.28 is hereby amended to read as follows:

105.6.28 LP-gGas.

An operational permit is required for:

1. Storage and use of LP-gas.

Exceptions: ~~A permit is not required for individual containers with a 500-gallons (1893 L) water capacity or less or multiple container systems having an aggregate quantity not exceeding 500 gallons (1893 L), serving occupancies in group R-3.~~

a. A permit is not required for individual non-portable outdoor container with a 500-gallon (1893 L) water capacity or less, or multiple non-portable outdoor containers or outdoor non-portable container systems having an aggregate quantity not exceeding 500 gallons (1893 L) water capacity serving occupancies in group R-3 on one premise.

b. A permit is not required for outdoor portable containers of less than 125-gallon (473.2 L) aggregate water capacity on one premise.

c. A permit is not required for the storage of LP-gas in Department of Transportation specification cylinders with a maximum water capacity of 2½ pounds (1Kg) used in completely self-contained hand torches and similar applications stored or displayed at a consumer or retail site and the total aggregate capacity of all LP-gas containers does not exceed 200 pounds allowed as per Section 6109.9 of this code.

2. Operation of cargo tankers that transport LP-gas.

SECTION 39. Section 105.6.30.1 is hereby added to read as follows:

105.6.30.1 Model Rockets.

An operational permit is required to operate a model rocket motor or an experimental high-powered rocket motor as defined in Title 19 California Code of Regulations, Section 980.

SECTION 40. Section 105.6.35.1 is hereby added to read as follows:

105.6.35.1 Pallet Yards.

An operational permit is required to store, manufacture, refurbish, or otherwise handle greater than 200 ft³ of combustible plastic or wood pallets in an outdoor yard.

SECTION 41. Section 105.6.35.2 is hereby added to read as follows:

105.6.35.2 Parade Floats.

An operational permit is required to use a parade float for public performance, presentation, spectacle, entertainment, or parade. See Section 324.

SECTION 42. Section 105.6.36.1 is hereby added to read as follows:

105.6.36.1 Private Firefighting Resources.

An operational permit is required for any private firefighting resource to conduct firefighting operations, provide fire protection operations, or to apply fire resistive treatment to structures or vegetation in an emergency area.

SECTION 43. Section 105.6.38 is hereby amended to read as follows:

105.6.38 Pyrotechnic ~~s~~Special ~~e~~Effects ~~m~~Material.

An operational permit is required for use and handling of pyrotechnic special effects material. See Health and Safety Code Division 11, Part 2, Section 12500, et

seq. for additional requirements. For pyrotechnic and special effects used for motion picture, television, and commercial productions, see Section 105.6.49(2).

SECTION 44. Section 105.6.39.1 is hereby added to read as follows:

105.6.39.1 Recreational Fire.

An operational permit is required for outdoor fire burning materials other than rubbish, where the fuel is not contained as described in Chapter 3.

SECTION 45. Section 105.6.41.1 is hereby added to read as follows:

105.6.41.1 Rifle Range.

An operational permit is required to establish, maintain, or operate a rifle range.

SECTION 46. Section 105.6.42 is hereby amended to read as follows:

105.6.42 Rooftop Heliports and Emergency Helicopter Landing Facility for High Rise Buildings.

An operational permit is required for the operation of a rooftop heliport, also referred to in this code as an Emergency Helicopter Landing Facility for High Rise Buildings.

SECTION 47. Section 105.6.45.1 is hereby added to read as follows:

105.6.45.1 Temporary Sales Lots.

An operational permit is required prior to operating a Christmas tree or pumpkin sales lot.

SECTION 48. Section 105.6.49 is hereby amended to read as follows:

105.6.49 Additional ~~p~~Permits.

In addition to the permits required by Section 105.6, the following permits shall be obtained from the ~~Bureau of Fire Prevention~~ Division prior to engaging in the following activities, operations, practices, or functions:

1. **Production ~~f~~Facilities.** To change use or occupancy, or allow the attendance of a live audience, or for wrap parties.
2. **Motion Picture, Television, Commercial, and Related Production Filming-Pyrotechnics and ~~s~~Special ~~e~~ffects.** To use pyrotechnic special effects, open flame, hotwork, use of flammable or combustible liquids and gases, dust, welding, and the parking of motor vehicles in any building or location used for the purpose of motion picture, television, and commercial production. The applicant is required to pay the permit fee amount shown in Section 4803.4 prior to permit issuance.
3. **Live ~~a~~Audiences.** To install seating arrangements for live audiences in approved production facilities, production studios, and sound stages. See Chapter 48.
4. **Motion Picture, Television, Commercial, and Related Production Filming.**
An operational permit is required to conduct motion picture, television, commercials, and related productions outside of an approved production facility. The applicant is required to pay the permit fee amount shown in Section 4803.4 prior to permit issuance.

5. Motion Picture, Television, Commercial, and Related Production

Filming–Fuel-dispensing Trucks and Vehicles.

An annual operational permit is required to dispense flammable or combustible liquids, liquefied petroleum gases, or compressed natural gas from trucks or vehicles to equipment and vehicles on motion picture, television, and commercial production locations. The applicant is required to pay the annual permit fee amount shown in Section 4803.4 prior to permit issuance.

6. Commercial Still Photography Production with On-site Cast and Crew Numbering Fifteen (15) or More Persons.

An operational permit is required to take still photographs for commercial purposes outside of an approved production facility and where the on-site cast and crew numbers fifteen (15) or more persons. The applicant is required to pay the permit fee amount shown in Section 4803.4 prior to permit issuance.

SECTION 49. Section 105.7 is hereby amended to read as follows:

105.7 Required ~~e~~Construction ~~p~~Permits.

The fire code official is authorized to issue construction permits for ~~work as any~~ activities within the scope of this code, including but not limited to, those set forth in Sections 105.7.1 through 105.7.18.

SECTION 50. Section 105.7.8.1 is hereby added to read as follows:

105.7.8.1 Fuel Modification Plan Review.

When required by this code, by other laws, or by other regulating agencies, fire code official review is required prior to the installation of fire resistive landscaping.

SECTION 51. Section 105.7.11.1 is hereby added to read as follows:

105.7.11.1 Land Development Plan Review.

When required by law or other agencies, fire code official review and approval is required prior to final approval of the following applications: tract maps, parcel maps, final maps, planned unit developments, conditional use permits, design overlay reviews, environmental impact reviews, road vacations, zone changes, water plan reviews, and gate design review for land development projects.

SECTION 52. Section 105.7.12 is hereby amended to read as follows:

105.7.12 LP-gGas.

A construction permit is required for installation of or modification to an LP-gas system. Maintenance performed in accordance with this code is not considered to be a modification and does not require a permit. Also, see Section 6101.3.

SECTION 53. Section 105.7.13.1 is hereby added to read as follows:

105.7.13.1 Roof Gardens and Landscaped Roofs.

The fire code official shall review and approve in installation or modification of a roof garden or a landscaped roof.

SECTION 54. Section 107.7 is hereby added to read as follows:

107.7 Occupant Count.

When required by the fire code official, the permittee holding a place of assembly operational permit shall use an approved method to maintain an accurate count of the number of occupants present in a place of an assembly room including any accessory areas. If at any time the fire code official determines that an accurate count of

occupants is not being maintained by the permittee, the assembly room and accessory areas shall be cleared of occupants until an accurate occupant count can be made.

SECTION 55. Section 108 is hereby amended to read as follows:

108 ~~**BOARD OF APPEALS**~~

108.1 ~~**Board of appeals established**~~ **Appeals Process.**

~~In order to hear and decide appeals of orders, decisions or determinations made by the *fire code official* relative to the application and interpretation of this code, there shall be and is hereby created a board of appeals. The board of appeals shall be appointed by the governing body and shall hold office at its pleasure. The *fire code official* shall be an ex-officio member of said board but shall have no vote on any matter before the board. The board shall adopt rules of procedure for conducting its business, and shall render all decisions and findings in writing to the appellant with a duplicate copy to the *fire code official*. When an applicant seeking an approval from the fire code official disagrees with the decision of the fire code official regarding the conditions, methods of construction, equipment, or operations regulated by this code, the applicant may file a written appeal to the assistant Fire Chief of the fire prevention division (fire marshal) pursuant to Section 108.2 of this code. A written appeal must be submitted no later than 30 days after the applicant has notice of the decision being appealed. The fire marshal, after considering all the facts presented, including any communication from the general public regarding the matter appealed, shall provide a written decision responding to the appeal. If the applicant is not satisfied with the decision of the fire marshal, the applicant shall, within 10 days of receipt of the fire marshal's decision,~~

request in writing that the decision be reviewed by a fire code appeals review panel, a three-person panel consisting of the following individuals: the deputy chief of prevention, the deputy chief of operations, and the County's superintendent of building. The fire code appeals review panel shall transmit its written decision on the appeal to the applicant. The fire code appeals review panel shall be the final authority in the appeals process.

SECTION 56. Section 108.2 is hereby amended to read as follows:

108.2 Limitations on aAuthority.

An ~~application~~applicant's ~~for~~ appeal shall be based on a claim that the intent of this code or the ~~rules~~legally~~regulations~~ adopted hereunder have been incorrectly interpreted, that the provisions of this code do not ~~fully~~ apply, or that an equivalent method of protection or safety ~~is~~was proposed by the applicant and was denied by the fire code official. ~~The board shall have no authority~~appeals process shall not be used to waive requirements of this code.

For an appeal regarding fuel modification plan requirements, an applicant must use the appeals process as per Section 4908.2.

SECTION 57. Section 108.3 is hereby amended to read as follows:

108.3 Qualifications.

~~The board of~~fire code appeals review panel shall consist of ~~members who are~~ qualified by experience and training to pass on matters pertaining to hazards of fire explosions, hazardous conditions, or fire protection systems and are not employees of

~~the jurisdiction~~ the deputy chief of prevention, the deputy chief of operations, and the County's superintendent of building.

SECTION 58. Section 109.4 is hereby amended to read as follows:

109.4 Violation ~~p~~Penalties.

Persons who shall violate a provision of this code or shall fail to comply with any of the requirements thereof, or who shall erect, install, alter, repair, or do work in violation of the approved construction documents or directive of the fire code official, or of a permit or certificate used under provisions of this code, shall be guilty of a misdemeanor unless such violation is declared to be an infraction by Chapter 82 of this code, punishable by a fine of not more than \$1,000 or by imprisonment not exceeding six months, or both such fine and imprisonment. Each day that a violation continues after due notice has been served shall be deemed a separate offense. For the purposes of this section, a forfeiture of bail shall be equivalent to a conviction.

SECTION 59. Section 109.4.1 is hereby amended to read as follows:

109.4.1 Abatement of ~~v~~Violation.

In addition to the imposition of penalties herein described, the fire code official is authorized to institute appropriate action to prevent unlawful construction or to restrain, correct, or abate a violation; or to prevent illegal occupancy of a structure or premises; or to stop an illegal act, conduct of business, or occupancy of a structure on or about any premises.

The owner of any parcel upon which a nuisance is found to exist may, as provided by State, County, and local law, be liable for all costs of abatement of the nuisance.

SECTION 60. Section 109.5 is hereby added to read as follows:

109.5 Responsibility for Fire Suppression and Related Costs.

Any person: (1) who negligently, or in violation of the law, sets a fire, allows a fire to be set, or allows a fire kindled or attended by him to escape onto any public or private property; (2) other than a mortgagee, who, being in actual possession of a structure, fails or refuses to correct, within the time allotted for correction, despite having the right to do so, a fire hazard prohibited by law, for which a public agency properly has issued a notice of violation respecting the hazard; or (3) including a mortgagee, who, having an obligation under other provisions of law to correct a fire hazard prohibited by law, for which a public agency has properly issued a notice of violation respecting the hazard, fails or refuses to correct the hazard within the time allotted for correction, despite having the right to do so, is liable for the fire suppression costs incurred in fighting the fire, for the cost of providing rescue or emergency medical services, for the cost of investigating and making any reports with respect to the fire, and for the costs relating to accounting for that fire and the collection of any funds pursuant to State or local law, including but not limited to, administrative costs of operating a fire suppression cost recovery program to the fullest extent authorized by law. All of these costs shall be a charge against that person, shall constitute a debt of that person, and is collectible by the federal, State, County, public, or private agency, incurring those costs

in the same manner as in the case of an obligation under a contract, expressed or implied.

SECTION 61. Section 109.5.1 is hereby added to read as follows:

109.5.1 Responsibility for Costs for Emergency Response

Related to Hazardous Substances.

All expenses of an emergency response necessary to protect the public from a real and imminent threat to health and safety by a public agency to confine, prevent, or mitigate the release, escape, or burning of hazardous substances are a charge against any person whose negligence causes the incident to the fullest extent authorized by law, if either of the following occurs:

1. Evacuation beyond the property where the incident originates is necessary to prevent loss of life or injury.
2. The incident results in the spread of hazardous substances or fire posing a real and imminent threat to public health and safety beyond the property of origin.

Expenses reimbursable to the County or Fire District pursuant to this section are a debt of the person liable therefore, and shall be collectible in the same manner as in the case of an obligation under contract, express or implied. The charge created against the person related to hazardous substances by this section is also a charge against the person's employer if the negligence causing the incident occurs in the course of the person's employment.

SECTION 62. Section 110.1.1 is hereby amended to read as follows:

110.1.1 Unsafe eConditions.

Structures or existing equipment that are or hereafter become unsafe or deficient because of inadequate means of egress or which constitute a fire hazard, or are otherwise dangerous to human life or the public welfare, or which involve illegal or improper occupancy or inadequate maintenance, dilapidation, obsolescence, hazardous material contamination, disaster damage, or abandonment as specified in this code shall be deemed an unsafe condition. A vacant structure, which is not secured against unauthorized entry as required by Section 311, shall be deemed unsafe.

SECTION 63. Section 111.1 is hereby amended to read as follows:

111.1 Order.

Whenever the fire code official finds any work regulated by this code being performed in a manner contrary to the provisions of this code or in a dangerous or unsafe manner, the fire code official is authorized to issue a stop work order. The fire code official is authorized to order the work, the operation, or the use stopped or the evacuation of any premises, building, or vehicle or portion thereof, which has or is a condition hazardous to life or property.

SECTION 64. Section 111.4 is hereby amended to read as follows:

111.4 Failure to eComply.

Any person who shall continue any work after having been served with a stop work order, except such work as that person is directed to perform to remove a violation or unsafe condition, shall be liable ~~to a fine of not less than [AMOUNT] dollars or more~~

than ~~[AMOUNT]~~ dollars for administrative fines and subject to prosecution as allowed by Title 1, Section 1.25 of the County Code or other applicable laws or regulations.

SECTION 65. Section 202 is hereby amended to read as follows:

202 GENERAL DEFINITIONS

...

AREA OF FIREFIGHTING OPERATIONS. Those portions of the fire apparatus access road in which the structure's exterior walls face the required fire apparatus access road. The area of firefighting operations also includes the area in between such portions of the fire apparatus roads and the structure.

...

ASSESS. Shall mean any activity taken to determine health and safety risks to the general public or the environment.

...

COMMISSIONER. Shall mean the Agricultural Commissioner/Director of Weights and Measures for the County of Los Angeles.

...

CONSOLIDATED CONTINGENCY PLAN. Shall mean a document setting out an organized, planned, and coordinated course of action to be followed in case of a fire, explosion, or release of hazardous substance, which could threaten human health or the environment.

...

DEPARTMENT OF TOXIC SUBSTANCE CONTROL (DTSC). Shall mean a Department in the California Environmental Protection Agency that is responsible for managing and regulating hazardous waste in California.

...

EMERGENCY AREA. The geographical area where the fire code official, exercising authority pursuant to Section 104.11 at the scene of a fire or other emergency involving the protection of life or property, has declared there is an immediate risk to health, life, property, or the environment within that area.

...

EMERGENCY HELICOPTER LANDING FACILITY (EHLF). A clear area at ground level or on the roof of a building capable of accommodating a helicopter engaged in firefighting and/or emergency evacuation operations.

...

EPA ID NUMBER. Shall mean a number issued by DTSC and used to track hazardous waste from point of origin to its final disposal. Provisional numbers are issued for special circumstances such as a spill if the facility does not have a permanent number.

...

FIRE APPARATUS ACCESS ROAD. A road that provides fire apparatus access from a fire station to a facility, building, or portion thereof. This is a general term inclusive of all other terms such as fire lane, public street, private street, private driveway, parking lot lane, and access roadway.

...

FIRE- FLOW. See Appendix B, Section B 102.

FIRE HAZARD SEVERITY ZONES. See Section 4902.1.

...

FIRE WATCH. A temporary measure intended to ensure continuous and systematic surveillance of a premise, building or portion thereof by one or more qualified individuals for the sole purposes of identifying and controlling fire hazards, detecting early signs of unwanted fire, raising an alarm of fire and notifying the Fire Department.

...

FLOATING LUMINARY is an unpiloted floating air borne device containing open flaming or smoldering material capable of causing ignition to combustibles it may come in contact with. Floating luminaries may also be referred to as sky lanterns, flying lanterns, sky candles, and wish lanterns.

...

FUEL MODIFICATION. Shall mean any modification or removal of fuels to reduce the likelihood of ignition or the resistance to fire control.

FUMIGATOR. Shall mean any person licensed by the Structural Pest Control Act as an operator or as a structural pest control field representative who shall have been qualified by the State of California Structural Pest Control Board in the category of Pest Control.

...

GOVERNING BODY. Shall mean the official board or council elected to rule the municipality or other public agency.

...

HAZARDOUS MATERIALS. Those chemicals or substances which are physical hazards or health hazards as defined and classified in this chapter, whether the materials are in usable or waste condition. Hazardous materials mixtures are those substances that contain one percent or more of a hazardous ingredient, or one-tenth of one percent of a carcinogen. This definition includes, but is not limited to, those hazardous wastes, hazardous materials, and extremely hazardous wastes listed in the California Code of Regulations, Title 22, Section 66261.126, Appendix X.

...

HAZARDOUS WASTE. Shall mean a waste, or combination of wastes, which because of its quantity, concentration, or physical, chemical, or infectious characteristics poses a substantial present or potential hazard to human health or the environment when improperly treated, stored, transported, disposed of, or otherwise managed.

HAZARDOUS WASTE CONTROL LAW. Shall mean the State law, which implements a cradle to grave management system found in the California Health and Safety Code.

...

HEALTH HAZARDOUS MATERIALS DIVISION (HHMD). Shall mean a part of the Consolidated Fire Protection District of Los Angeles County (District) or Los Angeles County Fire Department, Prevention Services Bureau, that is responsible for regulating

hazardous materials business plans and chemical inventories, hazardous waste generators, on-site treatment of hazardous waste, risk management plans for responding with hazardous materials squads to emergency incidents involving hazardous materials, supervising cleanup of on-site and containment facilities, and for declaring emergency response scenes safe for re-entry.

...

MALIBU-SANTA MONICA MOUNTAIN OR SAN GABRIEL SOUTHFACE

AREAS. See Appendix P, Section P103.

...

MOTOR VEHICLE FLUIDS are liquids that are flammable, combustible, or hazardous materials, such as crankcase fluids, fuel, brake fluids, transmission fluids, radiator fluids, and gear oil. This definition does not include liquids that are permanently sealed, such as hydraulic fluid within shock absorbers.

...

PRIVATE FIREFIGHTING RESOURCE. Any person, organization, association, company, or corporation that provides or conducts firefighting operations, provides fire protection operations, or applies fire-resistive treatment to structures or vegetation within the jurisdiction of the Consolidated Fire Protection District of Los Angeles County (District), unless that person, organization, association, company, or corporation is formally under contract with the District to provide such services or is an employee or contractor of a local, State, or federal firefighting agency while in the performance of those duties. Nothing in this definition is intended to prohibit conduct which is

authorized, or for which immunity is granted, under the California Good Samaritan statutes or the California State Government Volunteers Act.

...

TRAINED CROWD MANAGER. Standby personnel, usually security or usher personnel, who are trained in the proper procedure to exit people from a tent or other place of public assemblage in an orderly and calm fashion in the event of an emergency.

...

UNAUTHORIZED DISCHARGE. A release or emission of materials in a manner that does not conform to the provisions of this code or applicable public health and safety regulations. This shall mean any spilling, leaking, releasing, leaching, emptying, dumping, or disposing of a hazardous material/waste into the environment, unless permitted by a regulatory agency.

UNIFIED PROGRAM. Consolidates six environmental programs regarding the management of hazardous waste, hazardous materials, and underground storage tanks under one management system.

UNIFIED PROGRAM FACILITY PERMIT. A consolidated permit issued pursuant to Section 25284 of the Health and Safety Code and Division 4 of Title 11 of the County Code relating to the underground storage of hazardous materials, Chapter 12.52 of the County Code relating to the generation or handling of hazardous waste or extremely hazardous waste, Chapter 12.64 of the County Code relating to handling of hazardous materials or acutely hazardous materials, and those city codes or

resolutions related to the unified program elements administered by those cities as participating agencies to the Los Angeles County Certified Unified Program Agency.

...

WASTE. A material that has been used or for whatever reason can or will no longer be used for its intended purpose, or has been discarded and not specially excluded by Health and Safety Code, Division 20, Chapter 6.5.

WATER UTILITY. An organization that provides water utility within a geographic service area and the water utility is recognized by the County of Los Angeles Fire Department.

WATER UTILITY SERVICE AREA. A geographic area in which a water utility could provide the required fire flow from approved fire hydrants for firefighting purposes.

...

SECTION 66. Section 301.2 is hereby amended to read as follows:

301.2 Permits.

Permits shall be required as set forth in Section 105.6 for the activities or uses regulated by Sections 306, 307, 308, ~~and 315,~~ 324, 326, and 328.

SECTION 67. Section 304.1.1 is hereby amended to read as follows:

304.1.1 Waste mMaterial.

Accumulations of wastepaper, wood, hay, straw, weeds, litter or combustible or flammable waste or rubbish of any type shall not be permitted to remain on a roof, or ground-mounted photovoltaic array, or in any court, yard, vacant lot, alley, parking lot,

open space, or beneath a grandstand, bleacher, pier, wharf, manufactured home, recreational vehicle or other similar structure.

SECTION 68. Section 304.1.2 is hereby amended to read as follows:

304.1.2 Vegetation.

Weeds, grass, vines, or other growth that is capable of being ignited and endangering property, shall be cut down and removed by the owner or occupant of the premises. Vegetation clearance requirements in urban-wildland interface areas shall be in accordance with Section 325 and Chapter 49 of this code.

SECTION 69. Section 304.2.1 is hereby added to read as follows:

304.2.1 Removal.

Combustible rubbish stored in containers outside of non-combustible vaults or rooms shall be removed from buildings at least once each working day or at intervals specified by the fire code official. The storage or accumulation of combustible waste matter within any building in such a quantity or location as to constitute a fire hazard is prohibited.

SECTION 70. Section 306.2.1 is hereby added to read as follows:

306.2.1 Fire Extinguishers.

Two approved fire extinguishers with an approved water or water solution extinguisher with a minimum 10-B:C rating shall be installed and maintained ready for use in projection rooms, in accordance with NFPA 40.

SECTION 71. Section 306.2.2 is hereby added to read as follows:

306.2.2 Smoking.

Smoking and other sources of ignition shall be prohibited within projection rooms in which cellulose nitrate film is allowed. Conspicuous "NO SMOKING" signs shall be posted in the room.

SECTION 72. Section 306.2.3 is hereby added to read as follows:

306.2.3 Projection Equipment.

Projection equipment or film, which is in a hazardous condition, shall not be used.

SECTION 73. Section 307.2.1 is hereby amended to read as follows:

307.2.1 Authorization.

Where required by sState or local law or regulations, open burning shall only be permitted with prior approval from the fire code official, a United States Forest Service Officer having jurisdiction, or the sState or local air and water quality management authority, provided that all conditions specified in the authorization are followed.

SECTION 74. Section 307.6 is hereby added to read as follows:

307.6 Open Fires.

A person shall not build, light, maintain, or cause or permit to be built, lighted, or maintained, any open outdoor fire or use or cause or permit to be used, any open outdoor fire for any purpose except:

1. When such fire is set or permission for such fire is given in the performance of the official duty of any public officer, and the fire, in the opinion of such public officer, is necessary for:

(i) The purpose of the prevention of a fire hazard which cannot be abated by any other means; or

(ii) The instruction of public employees in the methods of fighting fire;

2. When such fire is set pursuant to permit on property used for industrial or institutional purposes for the purpose of instruction of employees in methods of fighting fire.

3. When such fire is set in the course of any agricultural operation in the growing of crops or raising of fowl or animals.

4. On a public beach area owned, managed, or controlled by the County, otherwise permitted by this code.

5. In a County-owned park or recreation camp as otherwise permitted by this code.

6. Bonfires permitted by the fire code official.

7. For cooking, recreational, or ceremonial fires on private property with a maximum fire area of nine square feet, in locations outside of hazardous fire areas.

SECTION 75. Section 307.7 is hereby added to read as follows:

307.7 Designated Open Fire Areas.

The fire code official is authorized to designate places on private property, with the permission of the owner thereof, or upon any public road, or within any public park, or upon any public land, where open fires may be built.

The fire code official may place or cause to be placed uniform signs or posters on or at such premises indicating the place or limits where such fires may be built and maintained without further permission; however, it shall be unlawful to leave, or cause or permit to be left unattended, any fire burning in such place.

SECTION 76. Section 308.1.6.1.1 is hereby added to read as follows:

308.1.6.1.1 Floating Luminary Use.

The use or release of a floating luminary is prohibited.

Exception: When a permit is issued by the fire code official for use or release of a floating luminary for ceremonial, educational, or research purposes and where safeguards approved by the fire code official are used to prevent unintended ignition of combustibles. Floating luminary use or release shall be allowed only at a specific location and during prescribed weather conditions.

SECTION 77. Section 311.5 is hereby amended to read as follows:

311.5 Placards.

When required by the fire code official, Aany vacant or abandoned buildings or structures determined to be unsafe pursuant to Section 110 of this code relating to structural or interior hazards shall be marked as required by Sections 311.5.1 through 311.5.5.

SECTION 78. Section 316.6.1 is hereby amended to read as follows:

316.6.1 Structures.

Structures shall not be constructed within the utility easement beneath high-voltage transmission lines.

Exceptions: Restrooms and unoccupied telecommunications structures of non-combustible construction less than 15 feet in height provided that they are grounded and bonded in accordance with California Code of Regulations, Title 24, Part 3, Article 250, ANSI/IEEE 142-1991, Recommended Practice for Grounding of Industrial and Commercial Power Systems, and fully bonded from roof to foundation and connected to the structure's grounding system. Additionally, signs approved by the fire code official, that read "CAUTION – HIGH VOLTAGE LINES OVERHEAD" shall be provided at all entrances leading to the restrooms and unoccupied structures.

SECTION 79. Sections 320 - 323 are hereby reserved to read as follows:
SECTIONS 320 – 323 of Title 32 of the Los Angeles County Code are reserved.

SECTION 80. Section 324 is hereby added to read as follows:

324 PARADE FLOATS

324.1 Permit.

An operational permit is required to operate a parade float for a public performance, presentation, spectacle, entertainment, or parade.

324.2 Decorative Material.

Decorative material on parade floats shall be non-combustible, made flame retardant by application of a California State Fire Marshal listed treatment, or meet the flame resistive requirements of the fire code official.

324.3 Fire Protection.

Motorized parade floats and towing apparatus shall be provided with a minimum 2-A, 10-B: C-rated portable fire extinguisher readily accessible to the operator.

SECTION 81. Section 325 is hereby added to read as follows:

325 CLEARANCE OF BRUSH AND VEGETATIVE GROWTH

325.1 Electrical Transmission Lines.

325.1.1 Support Clearance.

Any person owning, controlling, operating, or maintaining any electrical transmission or distribution line upon any mountainous, forest, or brush-covered lands, or land covered with flammable growth shall, at all times, maintain around and adjacent to any pole supporting a switch, fuse, transformer, lightning arrester, or line junction, or dead end, or corner poles, or towers, or other poles or towers at which power company employees are likely to work most frequently, an effective firebreak, consisting of a clearing of not less than 10 feet (3.05 m) in each direction from the outer circumference of such pole or tower provided, however, that this provision shall not be deemed to apply to lines used exclusively as telephone, telegraph, telephone, or telegraph messenger call, fire or alarm lines, or other lines classed as communication (Class C) circuits by the Public Utilities Commission of the State of California. Nor shall this provision apply to clearance around poles supporting only secondary electrical distribution lines of 750 volts or less.

325.1.2 Line Clearance.

Any person owning, controlling, operating, or maintaining any electrical transmission or distribution line upon any mountainous, or forest, or brush-covered lands, or lands covered with flammable growth shall maintain a clearance of the

respective distances hereinafter in this section specified in all directions between all vegetation and all conductors carrying electrical current.

For lines operating at 2,400 volts or more, but less than 72,000 volts, four (4) feet (1.22 m);

For lines operating at 72,000 volts or more, but less than 110,000 volts, six (6) feet (1.83 m); and

For lines operating at 110,000 volts or more, ten (10) feet (3.05 m).

In any case, such distance shall be sufficiently great to furnish the required clearance from the particular wire or conductor at any position, of such wire or conductor at any temperature of 120 degrees Fahrenheit or less. Dead trees, old, decadent, or rotten trees, those weakened by decay or disease, and trees leaning toward the line, which may contact the line from the side or may fall on the line, shall be felled, cut or trimmed so as to remove the hazard.

325.1.3 Self-Supporting Aerial Cable.

No clearing to obtain line clearance is required when self-supporting aerial cable is used except that forked trees, leaning trees, and other growth that may fall across the cable and break it shall be removed.

Exception: Nothing contained in this section shall be construed to require any person to maintain any clearing on land where such person does not have the legal right to maintain such clearing, nor shall any provision of this ordinance be construed to require any person to enter upon or to damage property of another without the consent

of the owner thereof. For further exceptions, see Title 14, California Code of Regulations, Sections 1250-57 inclusive.

325.2 Structures.

325.2.1 Clearances.

Any person owning, leasing, controlling, operating, or maintaining any building, structure, or apiary upon or adjoining any mountainous, or forest or brush-covered land or land covered with flammable growth, and any person owning, leasing, or controlling any land adjacent to such structures, shall at all times:

1. Place or store firewood, manure, compost, and other combustible materials a minimum of 30 feet (9.14 m) from any building, structure, or apiary.
2. Maintain around and adjacent to such building, structure, or apiary an effective fire protection or firebreak made by removing and clearing away, for a distance of not less than 30 feet (9.14 m) on each side thereof, all flammable vegetation or other combustible growth. This includes ornamental plants and trees known to be flammable, including but not limited to acacia, cedar, cypress, eucalyptus, juniper, pine, and pampas grass.

Exceptions:

1. Ornamental plants and trees that are individually planted, spaced, and maintained in such a manner that they do not form a means of transmitting fire from native growth to the structure.

2. Cultivated ground cover such as green grass, ivy, succulents, or similar plants provided that they are maintained in a condition that does not form a means of transmitting fire from native growth to the structure.

3. When the fire code official or commissioner finds that because of extra hazardous conditions, a firebreak of only 30 feet (9.14 m) around such building, structure, or apiary is not sufficient to provide reasonable fire safety, the person owning, leasing, controlling, operating, or maintaining the building, structure, or apiary shall maintain around or adjacent to any building, structure, or apiary an additional fire protection or firebreak made by removing all brush, flammable vegetation, or combustible growth located from 30 to 100 feet (9.14 to 30.48 m) from such building, structure, or apiary, as may be required by the fire code official or commissioner. Grass and other vegetation located more than 30 feet (9.14 m) from such building, structure, or apiary and less than 18 inches (45.72 cm) in height above the ground, may be maintained where necessary to stabilize the soil and prevent erosion.

4. That portion of any tree that extends within 10 feet (3.05 m) of the outlet of any chimney shall be removed.

5. Maintain any tree adjacent to or overhanging any building, structure, or apiary free of dead wood.

6. Maintain the roof of any building, structure or apiary free of leaves, needles, or other dead vegetative growth.

7. Nothing contained in this section shall be construed to require any person to maintain any clearing on land where such person does not have the legal right to

maintain such clearing, nor shall any provision of this ordinance be construed to require any person to enter upon or to damage property of another without the consent of the owner thereof.

325.2.2 Extra Hazard.

The governing body finds that in many cases because of extra hazardous situations, a firebreak around buildings, structures, or apiaries of only 30 feet (9.14 m) is not sufficient and that a firebreak of 50 feet (15.24 m) or more may be necessary. If the fire code official or commissioner finds that because of the location of any building, structure, or apiary and because of other conditions, a 30-foot (9.14-m) firebreak around such building, structure, or apiary as required by Section 325.2.1 is not sufficient, the fire code official or commissioner may notify all owners of the properties affected that they must clear all flammable vegetation and other combustible growth or reduce the amount of fuel content for a distance greater than 30 feet (9.14 m), but not to exceed 200 feet (60.96 m).

325.3 Notice to Correct.

325.3.1 Contents of Notice.

A notice to clear all flammable vegetation and other combustible growth for a distance greater than 30 feet (9.14 m) shall be in writing and shall specify the exact distance from the structure that such vegetation and growth must be cleared.

325.3.2 Compliance with Findings.

Within a reasonable time after receipt of the notice specified in Section 325.3.1, every person owning, leasing, controlling, or operating the building, structure, or apiary

involved, and every person owning, leasing, or controlling any land adjacent to such building, structure, or apiary shall at all times maintain around and adjacent to such building, structure, or apiary an effective fire protection or firebreak made by removing and clearing away, for a distance not less than so determined, on each side thereof, all flammable vegetation or other combustible growth, except as otherwise provided in Section 325.2.

325.3.3 Correction by Fire Code Official or Commissioner.

Any person who has received notice for having failed to meet any of the requirements specified in Sections 325.2.1, 325.2.2, 325.3.2, 325.10, 503.2.1, 3104.21, 6107.2, or 6107.3 and who is unable to comply with the requirements of such notice may request the fire code official or commissioner to correct the condition or conditions. The fire code official or commissioner may do so, provided that the person requesting such assistance agrees to pay the full cost thereof.

325.3.4 Notice of Failure to Correct.

In the event any of the conditions prohibited by Sections 325.2.1, 325.2.2, 325.3.2, 325.10, 503.2.1, 3104.21, 6107.2, or 6107.3 exist, the governing body may instruct the fire code official or commissioner to give notice to the owner of the property upon which such condition exists, to correct such prohibited condition, and if the owner fails to correct such condition, the governing body may cause the same to be done and make the expenses of such correction a lien upon the property upon which such condition exists. If it so instructs the fire code official or commissioner, the governing

body shall designate the time and place of a hearing either before itself or before a referee appointed by it, and shall notify the fire code official of its action.

325.3.5 Mailing Notice.

Upon receipt of a notice from the governing body of the time and place of hearing, and not less than 10 days before such hearing, the fire code official or commissioner shall mail a notice to the owners of the property, as their names and addresses appear from the last equalized assessment roll, or as they are known to the clerk of the governing body on which a firebreak is not maintained as required by Sections 325.2.1, 325.2.2, 325.3.2, 325.10, 503.2.1, 3104.21, or 6107.3 in substantially the following form:

NOTICE TO DESTROY WEEDS, BRUSH, AND RUBBISH

Notice is hereby given that on the ___ day of (month) _____, the governing body of (municipality) _____ passed a resolution declaring the noxious or dangerous weeds, sagebrush, chaparral, and any other brush or weeds which attain such large growth as to become, when dry, a fire menace to adjacent improved property, were growing and that there existed dry grass, stubble brush, litter, or other flammable material which endangers the public safety by creating a fire hazard upon or in front of the property on certain streets in said municipality, and more particularly described in said resolution, and that same constitutes a public nuisance which must be abated by the removal of said noxious or dangerous weeds, brush, litter, or other flammable material, otherwise they will be removed and the nuisance will be abated by the municipal authorities, in which case the cost of such removal shall be assessed upon

the lots and lands from which, or in front of which, such materials are moved, and such cost will constitute a lien upon such lots or lands until paid. Reference is hereby made to said resolution for further particulars.

All property owners having any objections to the proposed removal of such materials are hereby notified to attend a meeting of the governing body of said municipality, to be held at ____ a.m. o'clock, (month) _____, when their objections will be heard and given due consideration.

Dated this ____ day of (month) _____.

(name)

(department)

(municipality)

325.3.6 Posting of Notice.

As an alternative to mailing, a notice in the form required in Section 325.3.5 shall be posted conspicuously in front of the property on which vegetation which must be removed exists, or if the property has no frontage upon any highway or road then upon that portion of the property nearest to a highway or road, or most likely to give actual notice to the owner. The notices shall be posted not more than 100 feet (30.48 m) in distance apart, but at least one notice shall be posted on each lot or parcel of land.

325.3.7 Publication of Notice.

The clerk of the governing body shall publish notice of the hearing once in a newspaper of general circulation printed and published in the County, not less than

10 days prior to the date of the hearing, when notice is given by means other than that prescribed in Section 325.3.4.

325.4 Hearing of Protests.

325.4.1 Appointment of Referee.

The governing body may appoint a referee to hear protests pursuant to the article. If the governing body appoints an officer or employee of the municipality as referee, the referee shall serve without any additional compensation, but all time spent as referee shall be deemed and counted as time spent in performing the duties of the compensated position.

325.4.2 Hearing Objections.

At the same time stated in the notices, the governing body or referee shall hear and consider all objections and protests, if any, to the proposed removal of vegetation, and may continue the hearing from time to time.

325.4.3 Report of Referee.

If the hearing is before a referee, upon the conclusion of the hearing, the referee shall report to the governing body findings and recommendations as to what objections, if any, should be allowed and what objections, if any, should be overruled.

325.4.4 Decision by Board.

Upon the conclusion of the hearing before itself, or upon receipt of the report of the referee, the governing body shall allow or overrule all objections, whereupon the governing body shall acquire jurisdiction to proceed and perform the work by removal.

The decision of the governing body on the matter is final, except as provided in Sections 14920 and 14921 of the California Health and Safety Code.

325.4.5 Order for Abatement.

After final action is taken by the governing body on the disposition of any protests or objections or in case no protest or objections are received, the said governing body shall order the fire code official or commissioner to remove the dangerous vegetation.

325.5 Right of Entry Upon Private Property.

The fire code official or commissioner or their assistants, deputies, employees, or contracting agents, or other representatives may enter upon private property for the purpose of inspecting and/or removing vegetation pursuant to Sections 104.3 and 104.3.1 of this code.

325.6 Removal Before Arrival of Fire Code Official or Commissioner.

Any property owner may have the vegetation removed at the owner's expense if it is done prior to the arrival of the fire code official or commissioner or their representatives.

325.7 Record and Report of Cost.

The fire code official or commissioner shall keep an account of the cost of removing the vegetation from each separate parcel of land and shall render an itemized report in writing to the governing body showing the cost of removing the vegetation from each separate lot or parcel of land.

325.7.1 Posting Copy of Report.

Before the report is submitted to the governing body or referee, a copy shall be posted for at least three days on or near the chamber door of the governing body with a notice of the time when the report will be submitted to the governing body or referee for hearing on confirmation.

325.7.2 Hearing on Report.

At the time fixed for receiving and considering the report, the governing body or the referee shall hear it and any objections of any of the property owners liable to be assessed for the work of clearing vegetation.

325.7.3 Report of Referee.

If the hearing is before a referee, upon the conclusion of the hearing, the referee shall report to the governing body findings and recommendations as to what modifications, if any, should be made in the report.

325.7.4 Modification and Confirmation of the Report.

Upon the conclusion of the hearing on the report before itself, or upon receipt of the report of the referee, the governing body may make such modifications in the report of the fire code official or commissioner as it deems necessary, after which, by order or resolution, the report shall be confirmed.

325.7.5 Costs of Removal.

The amounts for the cost for removing the vegetation upon the various parcels of land mentioned in the report of the fire code official or commissioner, as confirmed, shall

constitute special assessments against the respective parcels of land and are a lien on the property for the amount of the respective assessments.

325.7.6 Collection of Expenses.

The expenses of removing vegetation shall be collected, and assessments shall be canceled or refunded as provided in Article 3 of Chapter 4 of Part 5 of Division 12 of the California Health and Safety Code, the provisions of which article are incorporated herein as if set forth herein in full.

325.8 Joint Proceedings.

All of the proceedings provided for in this article may be combined with and performed in conjunction with proceedings for the abatement of noxious weeds pursuant to Part 5 of Division 12 of the California Health and Safety Code.

325.9 Prosecution.

A person who violates Sections 325.2.1, 325.2.2, 325.3.2, 325.10, 503.2.1, 3104.21, 6107.2, or 6107.3 may be prosecuted and punished whether proceedings pursuant to Sections 325.3 – 325.8 inclusive, have been had or not. Proceedings pursuant to Sections 325.3 – 325.8 inclusive, are not a condition precedent to prosecution for violation of Sections 325.2.1, 325.2.2, 325.3.2, 325.10, 503.2.1, 3104.21, 6107.2, or 6107.3.

325.10 Roadway Clearance.

The fire code official or commissioner may require removal and clearance of all flammable vegetation or other combustible growth for a minimum of 10 feet (3.05 m) on each side of every roadway, whether public or private. The fire code official or

commissioner may enter upon private property to inspect, remove, and clear vegetation and growth as required by this section and may charge the responsible party for the cost of such action. This section shall not apply to single specimens of trees, ornamental shrubbery, or cultivated ground cover such as green grass, ivy, succulents, or similar plants used as ground cover, provided that they do not form a means of readily transmitting fire. As used in this section, "roadway" means that portion of a highway or private street improved, designed, or ordinarily used for vehicular travel. The minimum clearance of 10 feet (3.05 m) may be increased if the fire code official determines additional distance is required to provide reasonable fire safety.

SECTION 82. Section 326 is hereby added to read as follows:

326 ACTIVITIES IN HAZARDOUS WILDLAND FIRE AREAS

326.1 Intent.

The unrestricted use of grass, grain, brush, or forest-covered land, in certain hazardous fire portions of the jurisdictional area due to conditions tending to cause or allow the rapid spread of fires which may occur on such lands, or because of the inaccessible character of such lands, is a potential menace to life and property from fire. Therefore, it is the intent of this section to provide necessary safeguards to prevent the occurrence of fires and to control the spread of fires, which might be caused by recreational, commercial, industrial, or other activities carried on in any hazardous fire area.

326.2 Permit Required.

No person shall establish or conduct any of the following or similar activities in a hazardous fire area without first securing a permit:

1. Recreational activities including, but not limited to, rifle ranges, carnivals and fairs, public assembly events, fireworks, and open burning.
2. Temporary or permanent activities including, but not limited to, stands for cooking or other activities which could provide a source of ignition.

326.3 Permit Request.

A request for an issuance of a permit for any such activity shall be made to the fire code official not less than 15 days prior to the starting date of such activity.

326.4 Fire Protection Survey.

Upon receiving a request for issuance of a permit, the fire code official shall survey the buildings, premises, and facilities proposed for such use prior to issuance of the permit to determine the fire protection equipment and safeguards necessary to conduct such activity without unduly increasing the potential fire hazard to the area.

326.5 Notification.

The applicant shall be notified by the fire code official of those facilities and all fire protection safeguards necessary, and a permit shall not be issued until all such facilities and safeguards have been provided.

326.6 Permit Stipulations.

The permit shall stipulate the conditions, precautions, limitations, and safeguards necessary to conduct such activity with a reasonable degree of fire safety, and failure to

comply with any condition, precaution, limitation, or safeguard stipulated shall be cause for immediate revocation of the permit and cessation of the activity.

326.7 Fire Protection Facilities Required.

Fire protection facilities required and conditions or limitations necessary to maintain reasonable fire safety may include, but are not limited to, the following:

1. Adequate water supply, pumps, hydrants, and hoses.
2. Firebreaks as necessary to prevent a fire on the premises from spreading to adjacent brush or grass-covered areas.
3. Posting of "NO SMOKING" signs.
4. Removal of dry grass and weeds from around buildings, along roadways and automobile parking areas, and other areas accessible to the public or participants of the activity.
5. Provision of approved, competent fire safety officers or advisors to act as fire guards or fire watchers to patrol the area when such activity is taking place. See also Section 3104.20.
6. Provision of adequate access roads and parking facilities to prevent congestion of public roads, to permit adequate means of egress for evacuation of the public or participants in event of emergency, and to permit movement of fire apparatus and equipment.
7. Restriction or prohibition of activities during periods of high-fire hazard weather conditions.
8. Such fencing as is necessary to control the activity.

9. Such other conditions, limitations, or provisions necessary to maintain reasonable fire safety.

326.8 Restricted Entry on National Forest Land.

A person shall not enter or be on any lands within the boundaries of the National Forest within Los Angeles County which have been closed to entry by the U.S. Forest Service, except by a valid special entry permit issued by a U.S. Forest Service official.

326.9 Closure of Public or Private Lands.

Any portion of public or private lands in any hazardous fire area may be closed to the public by the fire code official at the request of the owners of such public or private lands, when in the opinion of the fire code official such closure is necessary for the prevention of fires. Notice of such closure shall be made by the fire code official by public announcement, and such closure shall be in effect until, in the opinion of the fire code official, such closure is no longer necessary for the protection of property against fire and such closure is lifted by public announcement.

326.10 Restricted Entry on Closed Lands.

A person shall not enter or be upon any public or private lands closed to the public by the fire code official during the period such closure is in effect, except that the closure of private lands shall not prohibit the use or entry upon such lands by the owner, owner's guests, or invitees, provided that such guests or invitees have written permission from the owner of such lands to enter upon the same. Such written permit shall be presented upon the demand of any public officer when such person is within any closed area.

326.11 Posting of Lands Closed to Entry.

Lands closed to entry shall be posted by the fire protection agency having jurisdiction.

326.12 Spark Arresters Required.

326.12.1 Equipment.

No person shall use or operate in, upon, or within any hazardous fire area, any tractor, construction equipment, engine, machinery, or any steam, oil, or gasoline-operated stationary or mobile equipment, from which a spark or fire may originate unless such equipment is provided with a qualified device or spark arrester installed in or attached to the exhaust pipe which will prevent the escape of fire or sparks. Said qualified device or spark arrester shall meet the requirements of the current version of the United States Forest Service "Standard for Spark Arresters for Internal Combustion Engines" (Standard 5100-1). For the purpose of this section, any registered motor vehicle operated on a road or highway and which is equipped with a muffler in good condition, as required by the California Vehicle Code, shall be deemed to be in compliance with this section.

326.12.2 Chimneys.

Each chimney used in conjunction with any fireplace, barbecue, incinerator, or any heating appliance in which solid or liquid fuel is used, upon any building, structure, or premises located within any hazardous fire area, shall be maintained with a spark arrester constructed with heavy wire mesh or other non-combustible material with openings not to exceed one-half inch (12.7 mm).

326.13 Open Flame Device.

No person shall operate or use any device, machine, or process such as a welding torch, tar pot, decorative torch, or any other device liable to start or cause fire in or upon any hazardous fire area, except by the authority of a written permit from the fire code official. However, no permit will be required if such use is within inhabited premises or a designated camp site, and such use is a minimum of 30 feet from any grass, grain, brush, or forest covered lands.

326.14 Roadway Clearance.

1. Clearance of brush or vegetative growth from roadways shall be in accordance with Section 325.10 of this code.
2. If the fire code official determines in any specific case that difficult terrain, danger of erosion, or other unusual circumstances make strict compliance with the provisions of this code undesirable or impractical, the fire code official may suspend enforcement thereof and require reasonable alternative measures.

326.15 Illegal Dumping.

No person shall place, deposit, or dump any garbage, cans, bottles, papers, ashes, refuse, trash, rubbish, or combustible waste materials in or upon any hazardous fire area. No person shall dump such materials in, upon, or along any trail, roadway, or highway in any hazardous fire area. Dumping in areas approved by the Fire Department for this use shall not be deemed to be in violation of this section. This section may be enforced by the commissioner.

326.16 Disposal of Ashes.

No person shall place, deposit, or dump any ashes or coals in or upon any hazardous fire area except in the hearth of an established fire pit, camp stove, or fireplace, or in a non-combustible container with a tight-fitting lid which is kept or maintained in a safe location not less than 10 feet from any combustible vegetation or structure, or where such ashes or coals are buried and covered with one foot of mineral earth not less than 25 feet (7620 mm) from any combustible vegetation or structure.

326.17 Fire Roads and Firebreaks.

1. No person, except public officers acting within the scope of their duties, shall travel upon or drive or park any motorcycle, motor scooter, or motor vehicle upon any fire road or firebreak beyond the point where travel is restricted by a cable, gate, or sign, without the permission of the property owner or owners involved.

2. No person shall park any vehicle so as to obstruct the entrance to any fire road or firebreak.

3. No person shall install or maintain a radio or television aerial, or guy wire thereto, or any other obstruction on any fire road or firebreak, which is less than 16 feet above such fire road or firebreak.

326.18 Use of Motorcycle, Motor Scooter, and Motor Vehicles.

No person shall operate any motorcycle, motor scooter, or motor vehicle, except upon clearly established public or private roads, within any hazardous fire area without first having secured a permit to do so from the fire code official. No such permit shall be issued unless written permission from the property owner is first presented.

326.19 Hazardous Warning Lights.

It shall be unlawful to maintain any torch or lantern utilizing an open flame along any excavation, road, or any place where the dislodgment of such torch or lantern might permit same to roll, fall, or slide on to any forest or brush-covered land, or any land containing flammable material.

SECTION 83. Section 327 is hereby added to read as follows:

327 ADMINISTRATIVE FINES

327.1 Administrative Fine—Imposition.

Improved parcels found to be in violation of Sections 325.2.1, 325.2.2, 325.10, 503.2.1, 3104.21, or 6107.3 of this code relating to clearance of brush and combustible growth, roadway clearance, and vertical clearance on fire access roads, shall be subject to an administrative fine, non-compliance fee, and/or possible liens as allowed by the provisions of Title 1, Chapter 1.25 of the County Code.

327.2 Administrative Fine—Enforcement.

An administrative fine will be imposed and enforced upon failure of the responsible party to comply with written abatement instructions and timeframes contained on the Official Inspection Report Form (County of Los Angeles Fire Department FORM 410B) issued by the Fire Department.

327.3 Declared Parcel.

A declared parcel is a parcel that contains noxious weeds and other flammable vegetation that are a fire hazard and which constitutes a public nuisance that must be abated as declared in an annual resolution of the Board of Supervisors. An owner of a

declared parcel will be mailed a declaration card specifying the abatement actions required of the owner. The declaration card constitutes the first official notice to the owner.

327.3.1 Declared Parcel Inspection—Notice of Violations.

A physical inspection of the declared parcel is conducted by the Fire Department to determine compliance with the declaration card. After the physical inspection, if the Fire Department determines that the owner has not complied with the declaration card, then such non-compliance constitutes the first violation of the fire code. The owner will be given notice of such first violation of the fire code. This notice constitutes the second official notice to the owner.

The second official notice shall also inform the owner that an administrative fine may be imposed on the declared parcel if not properly cleared. An owner's failure to comply with the second official notice constitutes the second violation of the fire code.

327.4 Undeclared Parcel.

An undeclared parcel is a parcel not contained in the annual resolution of the Board of Supervisors described in Section 327.3.

327.4.1 Undeclared Parcel Inspection—Notice of Violations.

After a physical inspection, if the Fire Department determines that an undeclared parcel is not in compliance with the fire code, the owner will be given notice of such violation of the fire code. This notice of violation constitutes the first official notice. An owner's failure to comply with the first official notice constitutes the first violation of the fire code. After a first violation, a physical inspection of an undeclared parcel will be

conducted by the Fire Department to determine compliance with the fire code. After the physical inspection, if the Fire Department determines that an undeclared parcel is not in compliance with the fire code, the owner will be given notice of the second violation of the fire code. This notice constitutes the second official notice to the owner. This second official notice shall also inform the owner that an administrative fine may be imposed on an undeclared parcel if not cleared. An owner's failure to comply with the second notice constitutes the second violation of the fire code.

327.5 Administrative Fine—Amount.

The administrative fine for a first violation as described in Section 327.3.1 or 327.4.1 is \$0. The administrative fine for a second violation as described in Section 327.3.1 or 327.4.1 is \$500.

327.6 Administrative Fine—Collection.

The administrative fine will be collected by the Fire Department through direct invoice. The Fire Department shall notify the owner of the imposition and amount of the administrative fine.

327.7 Administrative Fine—Administrative Review and Appeal.

The imposition of an administrative fine may be appealed in writing utilizing the Request for Administrative Hearing form provided with the administrative fine invoice. The Request for Administrative Hearing form must be filed with the brush clearance section manager of the Fire Department within 10 calendar days following the service of the notice of administrative fine.

Upon conclusion of the administrative hearing, the hearing officer shall issue a written decision within 10 calendar days. The hearing officer's written decision shall constitute the final administrative decision of the County.

Any person contesting the final administrative order or decision of the Fire Department may seek further review pursuant to Section 53069.4 of the California Government Code.

Any administrative penalty imposed shall be cancelled or refunded as provided in Sections 14920–14921 of the California Health and Safety Code, or any successor statute of similar import.

327.8 Creation of Lien for Unpaid Administrative Fines.

Pursuant to Title 1, Chapter 1.25 of the County Code, the amount of the unpaid administrative fines shall become a lien on the real property that is in violation of this chapter.

SECTION 84. Section 328 is hereby amended to read as follows:

328 LAND DEVELOPMENT AND ENVIRONMENTAL REVIEW FEES

This section is applicable to all unincorporated portions of Los Angeles County, to all incorporated areas that are a part of the Consolidated Fire Protection District of Los Angeles County, and to all cities that contract with the Consolidated Fire Protection District of Los Angeles County for services and adopt Section 328 as part of their fire code. The applicable fees described herein shall be collected as a condition of approval

for any land development project(s), ~~environmental~~ documents, or permit review(s) referred or submitted to the Fire Department for review.

SECTION 85. Section 328.1 is hereby amended to read as follows:

328.1 Tentative Tract Map Initial Review.

A fee shall be payable to the Fire Department upon the initial submittal of any tentative tract map for the review and approval by the Fire Department. The amount of the fee shall be ~~\$1,775~~2,445.00 for the first 10 lots, plus an additional amount for any tentative tract map containing more than 10 lots, calculated in accordance with the following:

- a. An additional ~~\$13~~19.00 for each of the next 15 lots; plus
- b. An additional ~~\$13~~19.00 for each of the next 25 lots; plus
- c. An additional ~~\$9~~14.00 for each of the next 50 lots; plus
- d. An additional ~~\$7~~10.00 for each of the next 900 lots; plus
- e. An additional ~~\$4~~6.00 for each lot in excess of 1000 lots.

SECTION 86. Section 328.2 is hereby amended to read as follows:

328.2 Revised Tentative Tract Map Filing Fees.

If prior to approval by the advisory agency or the legislative body of the County or the city (if it has no advisory agency), the tentative map requires significant revision, the subdivider shall pay to the Fire Department a fee of ~~\$25~~2362.00 for the third major revision and for each additional significant revised map thereafter.

328.2.1 If, subsequent to the approval of a tentative map by the advisory agency or the legislative body of the County or the city (if it has no advisory

agency), the subdivider requests a significant revision of the conditions of approval and a revised tentative map is submitted for review and comment, the subdivider shall pay the Fire Department a fee of ~~\$840~~1,172.00.

328.2.2 If a less than significant change is proposed to a tentative map and a revised map is not required, the subdivider shall pay the Fire Department a fee of ~~\$468~~594.00.

SECTION 87. Section 328.3 is hereby amended to read as follows:

328.3 Final Map Review Analysis (Tract Map).

328.3.1 A fee shall be payable to the Fire Department, upon the submittal of any final tract map for review by the Fire Department. The amount of the fee shall be as follows:

- a. ~~\$365~~594.00 for each map consisting of 1–5 lots.
- b. ~~\$441~~652.00 for each map consisting of 6–10 lots.
- c. ~~\$541~~767.00 for each map consisting of 11–25 lots.
- d. ~~\$630~~883.00 for each map consisting of 26–50 lots.
- e. ~~\$756~~1,057.00 for each map consisting of 51 or more lots.

328.3.2 In addition to the fee specified in Section 328.3.1, a supplemental review fee shall be payable to the Fire Department in the event that a final tract map is submitted more than three times. The amount of the supplemental review fee, payable upon the fourth and each subsequent submittal shall be ~~\$126~~189.00.

SECTION 88. Section 328.4 is hereby amended to read as follows:

328.4 Tentative Parcel Map Initial Review.

A fee shall be payable to the Fire Department, upon the initial submittal of any tentative parcel map for the review and approval by the Fire Department. The amount of the fee shall be \$~~747~~1,057.00.

SECTION 89. Section 328.5 is hereby amended to read as follows:

328.5 Tentative Parcel Map Revisions.

A fee shall be payable to the Fire Department upon the submittal for approval by the Fire Department of any revisions to a tentative parcel map that has been previously approved by the Fire Department. The amount of the fee shall be as follows:

- a. \$~~193~~304.00 for a revision to a tentative parcel map that has not been approved by the advisory agency or the legislative body of the city (if it has no advisory agency).
- b. \$~~357~~594.00 for a revised tentative parcel map that has previously been approved by the advisory agency or the legislative body of the city (if it has no advisory agency).
- c. \$~~126~~362.00 for an amendment to a tentative parcel map that has previously been approved by the advisory agency or the legislative body of the city (if it has no advisory agency) that is of a minor nature and where a revised map is not required.

SECTION 90. Section 328.6 is hereby amended to read as follows:

328.6 Final Map Review Analysis (Parcel Map).

328.6.1 A fee shall be payable to the Fire Department upon the submittal of any final parcel map for approval by the Fire Department. The amount of the fee shall be as follows:

- a. ~~\$365~~594.00 for each map consisting of 1–4 parcels.
- b. ~~\$441~~652.00 for each map consisting of 5–10 parcels.
- c. ~~\$630~~883.00 for each map consisting of 11–50 parcels.
- d. ~~\$756~~1,057.00 for each map consisting of 51 or more parcels.

328.6.2 In addition to the fee specified in Section 328.6.1, a supplemental review fee shall be payable to the Fire Department in the event that a final parcel map is submitted more than three times. The amount of the supplemental review fee, payable upon the fourth and each subsequent submittal shall be ~~\$126~~189.00.

SECTION 91. Section 328.7 is hereby amended to read as follows:

328.7 Miscellaneous Fees.

A fee shall be payable to the Fire Department upon submittal of any of the following requests for review and approval by the Fire Department. The amount of the fee shall be as follows:

- a. ~~\$84~~131.00 for a request for a site plan review.
- b. ~~\$168~~247.00 for ~~a request for~~ verification that the final tract or parcel map complies with the applicable ordinances, conditions, and other requirements.
- c. ~~\$258~~247.00 for a request for review of a proposed street vacation.

- d. ~~\$180~~247.00 for a request to review an application for a lot line adjustment.
- e. ~~\$180~~247.00 for a request to review a water system that includes a maximum of 10 hydrants. Where the water system includes more than 10 hydrants, the amount of the fee shall be increased by an additional ~~\$30~~40.00 for each additional hydrant beyond 10.
- f. ~~\$104~~247.00 for a request for review of a water system plan.
- g. ~~\$263~~362.00 for a request to review an application for a conditional use permit.
- h. ~~\$143~~212.00 for a request for review of a revision to a conditional use permit application that has previously been approved by the Fire Department.
- i. ~~\$84~~131.00 for a request for review of an appeal to the water appeals board.
- j. ~~\$180~~247.00-for a request for review of an application for a change of zone.
- k. ~~\$263~~362.00 for a request to review and approve an application for a mobile home park or special occupancy park, including review of environmental impact reports, new park development or continued use of an existing park.
- l. ~~\$347~~478.00 for a request for review of a grading plan for fire lanes and private driveways only.
- m. ~~\$84~~247.00 for a request for review of a revised Exhibit A.
- n. ~~\$185~~270.00 for a request for a grant of waiver.

o. ~~\$168~~247.00 for a request for review of an application for a clean hands waiver.

p. ~~\$171.00 for a certificate of compliance.~~

q. \$145.00 for a One Stop meeting.

SECTION 92. Section 328.8 is hereby added to read as follows:

328.8 Environmental Document Reviews.

328.8.1 Whenever a review for impact on the fire prevention, natural resources, and/or fire resource allocation responsibilities of the Fire Department is required as part of the environmental review process, the applicant shall pay a minimum deposit fee of \$1,000.00 at the time of submittal to the Fire Department and such supplemental fees and deposits as specified in Subsections 328.8.2 through 328.8.7 of this section to complete the required review.

328.8.2 If during the Fire Department's review process actual costs incurred reach 80 percent of the amount on deposit, the applicant shall be notified and required to submit a minimum supplemental deposit up to the amount of the initial deposit. There is no limit to the number of supplemental deposits that may be required prior to completion or withdrawal of the environmental review.

328.8.3 If an initial or supplemental deposit is not received within 30 days of notification that such deposit is due and payable, the Fire Department's review shall be discontinued until such deposit is received.

328.8.4 At the sole discretion of the applicant, the amount of an initial or supplemental deposit may exceed the minimum amounts defined herein, except that

at no time shall such initial or supplemental deposit be less than the minimum deposit amount set forth in Section 328.8.1.

328.8.5 The Fire Department's actual costs shall be computed on a monthly basis and deducted from the amount on deposit. The costs shall be considered final upon completion of the Fire Department's review process. If final costs do not exceed the amount on deposit, the unused portion shall be refunded.

328.8.6 Should the application be withdrawn, costs to the date that the Fire Department is advised of the withdrawal shall be computed, and the unused portion of the amount on deposit shall be refunded.

328.8.7 Costs shall be computed using actual hours expended by staff multiplied by the most current applicable hourly rates, approved by the County Auditor-Controller, that are available at the time that costs are assessed. Cost data used to determine fees shall be maintained by the Fire Department's business office and made available for public review while work is in progress and for three years following final action or withdrawal of the application.

SECTION 93. Section 328.9 is hereby amended to read as follows:

328.9 Oak Tree Permit Fees.

328.9.1 When an oak tree report is referred to the Fire Department for review, pursuant to Section 22.56.2140, a fee shall be paid to the Fire Department based on the number of trees identified for review in the oak tree report, as follows:

NUMBER OF TREES	PERMIT
1-15	\$ 245 <u>733</u> .00
16-50	\$ 314 <u>815</u> .00
51-100	\$ 585 <u>1,466</u> .00
101-200	\$ 645 <u>2,281</u> .00
201-400	\$ 795 <u>3,910</u> .00
401-999	\$ 1,124 <u>6,517</u> .00

328.9.2 When the number of trees identified for review in the oak tree report is 1,000 or more, the applicant shall pay directly to the Fire Department a deposit of \$~~1,000~~5,000.00 from which actual costs shall be billed and deducted.

328.9.2.1 If during the oak tree inspection process, actual costs incurred reach 80 percent of the amount on deposit, the applicant shall be notified by the Fire Department and required to submit a minimum supplemental deposit in the amount of \$~~1,000~~5,000.00 directly to the Fire Department. There is no limit to the number of supplemental deposits that may be required to be submitted to the Fire Department prior to completion or withdrawal of the inspection report.

SECTION 94. Section 328.9.2.2 is hereby added to read as follows:

328.9.2.2 If an initial or supplemental deposit is not received by the Fire Department within 30 days of notification that such deposit is due and payable, all work shall be discontinued until such deposit is received.

SECTION 95. Section 328.9.2.3 is hereby added to read as follows:

328.9.2.3 At the sole discretion of the applicant, the amount of an initial or supplemental deposit may exceed the minimum amount defined herein, except that at no time shall such initial or supplemental deposit be less than the minimum requirement.

SECTION 96. Section 328.9.2.4 is hereby added to read as follows:

328.9.2.4 The final oak tree inspection fee shall be based on actual costs incurred by the Fire Department.

SECTION 97. Section 328.9.2.5 is hereby added to read as follows:

328.9.2.5 Costs shall be computed on a monthly basis and deducted from the amount on deposit. The oak tree inspection fee shall be considered final upon completion of the review process. If final costs do not exceed the amount on deposit, the unused portion shall be refunded to the applicant.

SECTION 98. Section 328.9.2.6 is hereby added to read as follows:

328.9.2.6 Should the inspection request be withdrawn, costs to date shall be computed, and the unused portion of the amount on deposit shall be refunded to the applicant.

SECTION 99. Section 328.9.2.7 is hereby added to read as follows:

328.9.2.7 Costs shall be computed using actual hours expended by Fire Department staff multiplied by the most current applicable hourly rates, approved by the County Auditor-Controller, that are available at the time that costs are assessed.

SECTION 100. Section 328.9.2.8 is hereby added to read as follows:

328.9.2.8 Cost data used to determine inspection fees shall be maintained by the business office of the Fire Department and made available for public review while work is in progress and for three years following final action or withdrawal of the application.

SECTION 101. Section 328.10 is hereby added to read as follows:

328.10 **Land Development Plan Reviews Located Within Fire Hazard Severity Zones.**

Land development plan check review and approvals located within the Very High Fire Hazard Severity Zone (VHFHSZ) shall be performed in accordance with Section 4908 of this code.

SECTION 102. Section 328.11 is hereby added to read as follows:

328.11 **Annual Review of Fees.**

The fees in Section 328 shall be reviewed annually by the Fire Department. Beginning on July 1, 2008, and thereafter on each succeeding July 1, the amount of each fee shall be adjusted as follows: calculate the percentage movement between March of the previous year and March of the current year in the Consumer Price Index (CPI) for all urban consumers in the Los Angeles, Anaheim, and Riverside areas, as published by the United States Government Bureau of Labor Statistics. The adjusted fee shall be rounded to the nearest dollar; provided, however, notwithstanding any of the above, no fee shall exceed the cost of providing the service for which the fee is collected.

SECTION 103. Section 403.2.2.1 is hereby added to read as follows:

403.2.2.1 Emergency Notification.

When required by the fire code official, places of assembly shall be provided with a method for notifying the Fire Department in the event of an emergency. This may be a telephone or other method approved by the fire code official. Methods of notifying the Fire Department shall be readily available to the public.

SECTION 104. Section 403.8.3.5 is hereby added to read as follows:

403.8.3.5 Emergency Plan.

Additional information provided in emergency plans shall include procedures for use of alarms, notification of occupants and emergency responders in the event of alarm system malfunctions, isolating the fire, evacuating each fire area and the building, and relocating non-ambulatory persons. Copies of the plan shall be given to all supervisory personnel, and a copy shall be available on the premises to all personnel at all times.

SECTION 105. Section 403.12.3.4 is hereby added to read as follows:

403.12.3.4 Fire Safety Officers and Advisors.

When, in the opinion of the fire code official, it is necessary for the preservation of life or property, due to the hazardous nature of an event, production, operation, or function, the fire code official shall require the owner or lessee to employ or cause the employment of one or more approved fire safety officers or advisors to be on duty at such place during the hazardous activity.

SECTION 106. Section 403.14 is hereby added to read as follows:

403.14 Ground Seats.

When more than 200 loose chairs are used in close proximity to, and in connection with, a public assemblage event, the chairs shall be fastened together in groups of not less than three.

Exceptions:

1. The bonding of chairs shall not be required when tables are provided with the chairs for dining use or similar purposes.
2. The bonding of chairs shall not be required when the placement and location of such chairs will not obstruct any required exit or any line of egress toward any required exit and will not constitute a fire hazard as approved by the fire code official.

SECTION 107. Section 404.2.1 is hereby amended to read as follows:

404.2.1 Fire eEvacuation pPlans.

Fire evacuation plans shall include the following:

1. Emergency egress or escape routes and whether evacuation of the building is to be complete by selected floors or areas only or with a defend-in-place response. For occupancies and buildings located in hazardous wildland fire areas, the emergency egress and escape routes shall include provisions for transporting employees and occupants to a location that is deemed reasonably safe from wildland fire.

SECTION 108. Section 404.2.2 is hereby amended to read as follows:

404.2.2 Fire sSafety pPlans.

Fire safety plans shall include the following:

...

4. Floor plans identifying the locations of the following:

...

4.9. Fire alarm, control panel, and fire alarm annunciators and controls.

4.10. Location of limited access devices, including key boxes and key switches.

...

SECTION 109. Section 404.2.2.1 is hereby added to read as follows:

404.2.2.1 Implementation.

In the event a fire is detected in a building or a fire alarm activates, the fire evacuation plan and fire safety plan shall both be implemented.

SECTION 110. Section 405.10 is hereby added to read as follows:

405.10 Fire Drill.

In accordance with Table 405.2 of this code, the fire safety director, or designee using the fire alarm system shall conduct a fire drill. The following announcement shall be made over the public address system prior to and following the test of the actual alarm system: "This is a test of the fire alarm system. No evacuation from this floor or building is required." This announcement shall be repeated twice after the fire alarm testing has been concluded.

SECTION 111. Section 502.1 is hereby amended to read as follows:

502.1 Definitions.

The following terms are defined in Chapter 2.

...

AREA OF FIREFIGHTING OPERATIONS.

...

WATER UTILITY.

WATER UTILITY SERVICE AREA.

SECTION 112. Section 503.1.2 is hereby amended to read as follows:

503.1.2 Additional aAccess.

The fire code official is authorized to require more than one fire apparatus access road based on the potential for impairment of a single road by vehicle congestion, condition of terrain, climatic conditions, or other factors that could limit access. Such additional access must comply with Title 21 of the Los Angeles County Code.

SECTION 113. Section 503.2.1 is hereby amended to read as follows:

503.2.1 Dimensions.

Fire apparatus access roads shall have an unobstructed width of not less than 20 feet (6096 mm), exclusive of shoulders, except for approved security gates in accordance with Section 503.6, and an unobstructed vertical clearance ~~of not less than 13 feet 6 inches (4115 mm)~~ clear to the sky.

Exception: A minimum vertical clearance of 13 feet 6 inches (4114.8 mm) may be allowed for protected tree species adjacent to access roads. Any applicable tree-trimming permit from the appropriate agency is required.

SECTION 114. Section 503.2.2.1 is hereby added to read as follows:

503.2.2.1 Dimensions Maintained.

The dimensions of approved fire apparatus roads shall be maintained as originally approved by the fire code official.

SECTION 115. Section 503.2.5 is hereby amended to read as follows:

503.2.5 Dead-ends.

Dead-end fire apparatus access roads in excess of 150 feet (45720 mm) in length shall be provided with an approved area for turning around fire apparatus.

Exception: For dead-end fire apparatus access roads between 151 feet and 300 feet in length, the fire code official may determine that the approved area for turning around the fire apparatus can be met by requiring more stringent width, turning radius, and grade specifications as per Sections 104.8, 503.2, 503.2.4, and 503.2.7 of this code and when, in the opinion of the Fire Chief, firefighting or rescue operations would not be impaired.

SECTION 116. Section 503.2.9 is hereby added to read as follows:

503.2.9 Area of Firefighting Operations.

The area of firefighting operations shall not be located underneath high-voltage transmission lines.

SECTION 117. Section 503.3 is hereby amended to read as follows:

503.3 Marking.

Where required by the fire code official, approved signs or other approved notices or markings that include the words NO PARKING - FIRE LANE shall be provided for fire apparatus access roads to identify such roads, to clearly indicate the entrance to such road or prohibit the obstruction thereof. The means by which fire lanes are designated shall be maintained in a clean and legible condition at all times and be replaced or repaired when necessary to provide adequate visibility. A no parking designation shall meet the requirements of California Vehicle Code Section 22500.1 and approved by the fire code official.

SECTION 118. Section 503.3.1 is hereby added to read as follows:

503.3.1 Marking Overhead High-Voltage Transmission Lines.

When required by the fire code official, fire apparatus access roads and structures located near high-voltage transmission lines shall be posted with signs, approved by the fire code official, that include the words "CAUTION OVERHEAD HIGH-VOLTAGE TRANSMISSION LINES."

SECTION 119. Section 503.4 is hereby amended to read as follows:

503.4 Obstruction of fire apparatus access roads.

Fire apparatus access roads shall not be obstructed in any manner, including by the parking of vehicles or the use of traffic calming devices, including but not limited to, speed bumps or speed humps. The minimum widths and clearances established in Section 503.2.1 and 503.2.2 shall be maintained at all times.

SECTION 120. Section 503.4.1 is hereby amended to read as follows:

503.4.1 Traffic Calming Devices.

Traffic calming devices, including but not limited to, speed bumps and speed humps, shall be prohibited unless approved by the fire code official.

SECTION 121. Section 503.7 is hereby added to read as follows:

503.7 Fire Apparatus Access Roads in Recreational Vehicle, Mobile Home, and Manufactured Housing Sales Lots and Storage Lots.

Recreational vehicle, mobile home, and manufactured housing sales lots and storage lots shall provide and maintain fire apparatus access roads in accordance with Section 503.

503.7.1 Fire Apparatus Access Roads in Mobile Home Parks and Special Occupancy Parks.

The enforcing agency for California Code of Regulations, Title 25, Division 1, Chapters 2 and 2.2 shall have authority for approval of roadways in mobile home parks and special occupancy parks. Mobile home parks roadway requirements are found in California Code of Regulations, Title 25, Division 1, Chapter 2, Article 2, Section 1106, and roadway requirements for special occupancy parks are found in Title 25, Division 1, Chapter 2.2, Article 2, Section 2106.

SECTION 122. Section 504.5 is hereby added to read as follows:

504.5 Roof Top Barriers and Parapets.

No person shall install any security barrier, visual barrier screen, or other obstruction on the roof of any building in such a manner as to obstruct firefighter ingress

or egress in the event of fire or other emergency. Parapets shall not exceed 48 inches (1219.2 mm) on at least two sides of the building.

SECTION 123. Section 505.3 is hereby added to read as follows:

505.3 Multiple Residential and Commercial Units.

Multiple residential and commercial units having entrance doors not visible from the street or road shall have, in addition to the requirements of Section 505.1 above, approved numbers grouped for all units within each structure and positioned to be plainly visible from the street or road. Said numbers may be grouped on the wall of the structure or on a mounting post independent of the structure.

SECTION 124. Section 506.1 is hereby amended to read as follows:

506.1 Where Not Required.

Where access to or within a structure or an area is restricted because of secured openings or where immediate access is necessary for life-saving or fire-fighting purposes, the fire code official is authorized to require a key box to be installed in an approved location. The key box shall be of an approved type listed in accordance with UL 1037, and shall contain keys to gain necessary access as required by the fire code official.

Exception: A key box is not required for access to the interior of a sleeping unit or dwelling unit.

SECTION 125. Section 507.1.1 is hereby added to read as follows:

507.1.1 Water Certificate.

Except as otherwise provided by this section, every application for a building permit shall be accompanied by:

1. Evidence indicating to the fire code official that the proposed structure will be provided with a reliable water supply. The fire code official may accept as sufficient evidence a certificate from a water utility that it can supply water to the proposed structure in compliance with Title 20 of the Los Angeles County Code, except that if the fire code official knows that such water utility cannot so supply water, the fire code official may reject such certificate; or

2. A certificate from the Fire Department that there exists, or is under construction, a private water supply which, in the fire code official's opinion, is adequate for fire protection.

Exception: A certificate is not required for new or existing U occupancies with less than 1,000 square feet of aggregate floor area.

SECTION 126. Section 507.2 is hereby amended to read as follows:

507.2 Type of ~~w~~Water ~~s~~Supply.

A water supply shall consist of reservoirs, pressure tanks, elevated tanks, water mains, or other fixed systems capable of reliably providing the required fire flow. Facilities, buildings, or portions of buildings that are hereafter constructed or moved into or within the jurisdiction that are located within a water district's or water utility's service area and that receive a will-serve letter from the applicable water district

or water utility shall obtain their water supply from that water district's or water utility's system.

SECTION 127. Section 507.3.1 is hereby added to read as follows:

507.3.1 Fire Protection Water Supplies in Sales or Storage Lots of Recreational Vehicles, Mobile Homes, or Manufactured Housing, or in Mobile Home Parks or Special Occupancy Parks.

New, or additions to existing, sales or storage lots of recreational vehicles, mobile homes, or manufactured housing, mobile home parks, and special occupancy parks, shall be provided with an approved fire protection water supply in accordance with Section 507.

Exception: Special occupancy parks located in remote areas shall have a fire protection water supply as required by the fire code official, which shall not be less than the requirements of the California Code of Regulations, Title 25, Special Occupancy Parks, Chapter 2.2, Section 2300, et seq.

SECTION 128. Section 507.4.1 is hereby added to read as follows:

507.4.1 Private Fire Hydrant Test and Certification in Mobile Home Parks and Special Occupancy Parks.

Private fire hydrants in mobile home parks and special occupancy parks shall be tested and certified as required by California Code of Regulations, Title 25, Division 1, Chapter 2, Article 6, Section 1317 for mobile home parks and Division 1, Chapter 2.2, Article 6, Section 2317 for special occupancy parks. Certification of such tests shall be

completed by the local water supplier, a licensed C-16 fire protection contractor, or a licensed fire protection engineer as required by said Title 25.

SECTION 129. Section 507.5.1.2 is hereby added to read as follows:

507.5.1.2 Pool Draft System in Fire Hazard Severity Zones.

New swimming pools and spas, 5,000 gallon (18925 L) or greater capacity, constructed or installed in a Fire Hazard Severity Zone shall have a drain and discharge line connected to a draft hydrant in accordance with the Los Angeles County Plumbing Code, Title 28.

Exceptions:

1. Swimming pools constructed or installed with the bottom of the pool more than 15 feet below the proposed draft hydrant connection elevation, measured vertically, need not be provided with a draft hydrant system.
2. Properties that are adequately served by access roads that comply with Fire Department regulations, and have a properly spaced fire hydrant capable of flowing a minimum of 1,250 Gallons per Minute (GPM) (15,141.6 L/min) for two hours, may be exempted.
3. For residential properties built before August 13, 1995, where, in the opinion of the fire code official, there are practical geographic difficulties, the requirement may be modified.

SECTION 130. Section 507.5.5 is hereby amended to read as follows:

507.5.5 Clear sSpace around hHydrants.

A 3-foot (914-mm) clear space shall be maintained around the circumference of fire hydrants except as otherwise required or approved. Vehicles parking near fire hydrants must also comply with California Vehicle Code Section 22514.

SECTION 131. Section 507.5.7 is hereby added to read as follows:

507.5.7 Firefighting Water Source Marker.

When required by the fire code official, a fire hydrant and other firefighting water source shall be identified by the installation of a blue raised reflective pavement marker or identified by other approved means.

SECTION 132. Section 507.5.8 is hereby added to read as follows:

507.5.8 Private Fire Hydrant Identification.

A private service fire hydrant shall be painted red in color. The valve stem, coupling threads, or portions of the hydrant where the application of paint would violate the listing of the hydrant or hinder its operation shall not be painted.

SECTION 133. Section 507.5.9 is hereby added to read as follows:

507.5.9 Private Fire Hydrant Caps or Plugs.

A private service fire hydrant hose coupling shall be provided with a protective thread cap or plug. Missing or damaged caps or plugs shall be replaced.

SECTION 134. Section 507.5.10 is hereby added to read as follows:

507.5.10 Draft System Identification Sign.

New or existing swimming pools and spas constructed or located in a fire hazard severity zone with a capacity of 5,000 gallons (1892.71 L) or more equipped with draft hydrants shall be identified with a permanent sign. The sign and its location shall be approved by the fire code official.

SECTION 135. Section 507.6 is hereby added to read as follows:

507.6 Above-Ground Water Control Valves Requirements.

Above-ground water control valves must comply with Section 901.6.3.

SECTION 136. Section 510.1 is hereby amended to read as follows:

510.1

...

Exceptions:

1. Where approved by ~~the building official and~~ the fire code official, a wired communication system in accordance with Section 907.2.13.2 ~~shall be permitted to be installed or maintained instead of an approved radio coverage system of the California Fire Code is provided.~~
2. ~~Where it is determined by the fire code official that the radio coverage system is not needed~~New buildings that can demonstrate minimum radio coverage signal strength throughout the interior of the building.
3. In facilities where emergency responder radio coverage is required and such systems, components or equipment required could have a negative

impact on the normal operations of that facility, the fire code official shall have the authority to accept an automatically activated emergency responder radio coverage system.

- 4. One- and two-family dwellings and townhouses.
- 5. Open parking garages with no subterranean portions.

SECTION 137. Section 511 is hereby added to read as follows:

511 DESTRUCTION OF SIGNS

511.1 Destruction of Signs.

No person shall mutilate, remove, or destroy any sign or notice posted or required to be posted by the fire code official or a duly authorized representative.

SECTION 138. Section 901.6 is hereby amended to read as follows:

901.6 Inspection, ~~t~~Testing, and ~~m~~Maintenance.

Fire detection, alarm, ~~and~~ extinguishing systems, mechanical smoke exhaust systems, and smoke and heat vents shall be maintained in an operative condition at all times, and shall be replaced or repaired where defective. Non-required fire protection systems and equipment shall be inspected, tested, and maintained or removed.

Fire protection system equipment, including initiating devices, alarm notification appliances, and annunciators shall not be concealed from view, obstructed, or impaired in any manner.

...

SECTION 139. Section 901.6.3 is hereby added to read as follows:

901.6.3 Above-Ground Water Control Valves.

901.6.3.1 Above-Ground Water Control Valve Signs.

Aboveground water control valves used for water based fire protection systems, including private fire hydrant systems, shall have a permanent sign identifying areas or systems controlled. Signs shall be metal, painted white with red letters a minimum of one-inch high (25.4 mm) with 3/16-inch (.1875 mm) stroke, and shall be permanently banded to the valve or permanently affixed to a wall.

901.6.3.2 Above-Ground Water Control Valve Supervision.

Above-ground water control valves used for water based fire protection systems, including private service mains and appurtenances, shall be mechanically supervised by locking the valve in the fully open position using a cable or chain and a non-case hardened lock, or by other approved means, when the valve is not electrically supervised. Detachable wrenches for post indicator valves shall be secured in place by the use of a non-case hardened lock.

901.6.3.3 Above-Ground Water Control Valve Identification.

Aboveground water control valves used for water based fire protection systems, including valves that are part of private service mains and appurtenances, shall be painted red on any exposed surfaces subject to rust or corrosion. Valve stems, coupling threads, operating mechanisms, sight windows, components, or portions of the valve where the application of paint would violate the listing of the valve or hinder its operation shall not be painted.

901.6.3.4 Clear Space Around Aboveground Water Control Valves.

A three-foot (914 mm) clear space shall be maintained around the circumference of above-ground water control valves used for water based fire protection systems, including private fire hydrant systems, except as otherwise required or approved.

SECTION 140. Section 901.7.4 is hereby amended to read as follows:

901.7.4 Preplanned Impairment Programs.

Preplanned impairments shall be authorized by the impairment coordinator. Before authorization is given, a designated individual shall be responsible for verifying that all of the following procedures have been implemented:

...

9. When alteration requires modification of a portion of a fire-protection system, the remainder of the system shall be kept in service.

10. When it is necessary to take a fire-protection system, or portion thereof, out of service for repair, the repair shall be completed immediately and the system returned to full service.

SECTION 141. Section 901.8.2 is hereby amended to read as follows:

901.8.2 Removal of Existing Occupant-Use Hose Lines.

The fire code official is authorized to permit the removal of existing occupant-use hose lines where all of the following conditions exist:

1. Installation is not required by this code or the California Building Code.
2. The hose line would not be utilized by trained personnel or the Fire Department.
3. The remaining outlets are compatible with local Fire Department fittings.
4. The area is provided with an approved fire sprinkler system.

SECTION 142. Section 903.2.11.7 is added to read as follows:

903.2.11.7 Occupancies in Fire Hazard Severity Zones and Within the Malibu-Santa Monica Mountains or San Gabriel Southface Areas.

An automatic fire sprinkler system shall be installed in every occupancy which is newly constructed or which is modified, reconstructed, or remodeled by adding 50 percent or more of the floor area of the existing occupancy, within any 12-month period, where the occupancy is located in a Fire Hazard Severity Zone and within the Malibu-Santa Monica Mountains or the San Gabriel Mountains Southface Areas, as defined in Appendix P.

Exceptions:

1. Occupancies located in the San Gabriel Mountains Southface Area and which are located three miles or less from the closest existing or planned Los Angeles County Fire Station capable of supporting firefighting resources are exempt from the fire sprinkler requirement. Travel distances shall be measured by the most direct route on streets or roads accessible to Fire Department apparatus.
2. Occupancies modified, reconstructed, or remodeled by adding 50 percent or more of the floor area of the existing occupancy, where the total floor area of the

occupancy after the modification, reconstruction, or remodel is less than 5,000 square feet (465 m²), are exempt from the fire sprinkler requirement.

3. Detached private garages, sheds, and agricultural buildings less than 200 square feet (19 m²) in area and separated from other structures by a minimum of six feet (1829 mm), are exempt from the fire sprinkler requirement.

4. Detached gazebos, pergolas, and carports open on two or more sides, that are separated from other structures by a minimum of six feet (1829 mm) are exempt from the fire sprinkler requirement.

5. Detached U occupancies, separated from other structures by a minimum of six feet (1829 mm), built entirely out of non-combustible materials, and with no combustible storage, are exempt from the fire sprinkler requirement.

For the purposes of this subsection, "planned Los Angeles County Fire Station" means a fire station, approved by the Consolidated Fire Protection District of Los Angeles County that will be developed within five years from the date of building permit application for the subject development.

The Board of Supervisors finds it necessary to impose these requirements upon the issuance of a building permit because a failure to do so would place the residents of the subdivision or the immediate community, or both, in a condition perilous to their health or safety, or both.

SECTION 143. Section 903.4.2 is hereby amended to read as follows:

903.4.2 Alarms.

One exterior approved audible device, located on the exterior of the building in an approved location, shall be connected to each automatic sprinkler system. Such sprinkler water-flow alarm devices shall be activated by water flow equivalent to the flow of a single sprinkler of the smallest orifice size installed in the system. One approved exterior alarm visual device, located on the exterior of the building in an approved location, shall be provided to indicate to emergency responders the general location of an alarm annunciator. Where a building fire alarm system is installed, actuation of the automatic sprinkler system shall actuate the building fire alarm system. Other ~~visible~~ alarm notification appliances shall not be required except when required by Section 907.

SECTION 144. Section 905.2.1 is hereby added to read as follows:

905.2.1 Class I Standpipes.

905.2.1.1 Construction.

Materials and devices shall be of sufficient strength to withstand not less than 200 pounds per square inch (1379 kPa) of water pressure when ready for service. All Class I standpipes shall be tested hydrostatically to withstand not less than 200 pounds per square inch (1379 kPa) of pressure for two hours, but in no case shall the pressure be less than 50 pounds per square inch (344.7 kPa) above the maximum working pressure.

905.2.1.2 Fire Department Connection.

Standpipes shall be equipped with a listed four-way Fire Department connection. Systems with three or more standpipes shall be provided with a sufficient number of inlets as required by the fire code official. All Fire Department connections shall be located on the building address street front, not less than 24 inches (609.6 mm) or more than 42 inches (1066.8 mm) above grade and shall be equipped with an approved straight-way check valve and substantial plugs or caps. All Fire Department connections shall be visible, accessible, and clearly marked with approved signage. More than one Fire Department connection may be required. Fire Department connection location shall meet the requirements in Section 912.2.1.

905.2.1.3 Outlets.

Each standpipe shall be equipped with an approved 2½-inch (63.5 mm) outlet not less than two feet (609.6 mm) or more than four feet (1219.2 mm) above the floor level of each story. Standpipe outlets in stairway enclosures or smoke proof enclosures shall be located so that the exit doors do not interfere with the use of the outlet and located on the main stair landing. All outlets shall be equipped with an approved valve, cap, and chains.

SECTION 145. Section 905.4 is hereby amended to read as follows:

905.4 Location of Class I sStandpipe hHose eConnections.

Class I standpipe hose connections shall be provided in all of the following locations:

1. In every required interior exit stairway, a hose connection shall be provided for each story above or below grade plane. Hose connections shall be located at ~~an intermediate floor level~~ the main stair landing between stories, unless otherwise approved by the fire code official. See Section 909.20.3.2 of the California Building Code for additional provisions in smoke proof enclosures.

...

SECTION 146. Section 905.5.3 is hereby amended to read as follows:

905.5.3 Class II ~~s~~System 1½-inch ~~h~~Hose.

A minimum 1½-inch (~~25~~38.1-mm) hose shall be allowed to be used for hose stations in light-hazard occupancies where investigated and listed for this service and where approved by the fire code official. Class II interior wet standpipes shall be equipped with a 1½-inch (38.1-mm) valve, no more than 100 feet (30.48 m) of lined hose, and an approved fog nozzle in each story, including the basement or cellar of the building, and located not less than three feet (914.4-mm) or more than five feet (1.52 m) above the floor. Where combination standpipes are installed, the 1½-inch (38.1-mm) outlet system may be supplied from the combination system with a two-inch (50.8-mm) connecting line.

SECTION 147. Section 905.6.1 is hereby amended to read as follows:

905.6.1 Protection.

Risers and laterals of Class III standpipe systems shall be protected as required for Class I systems in accordance with Section 905.4.1.

Exceptions:

1. In buildings equipped with an approved automatic sprinkler system, risers and laterals which are not located within an enclosed stairway or pressurized enclosure need not be enclosed within fire-resistive construction.

2. Laterals for Class II outlets on Class III systems need not be protected.

SECTION 148. Section 905.6.1.1 is hereby added to read as follows:

905.6.1.1 Size.

Class III standpipe systems shall be not less than six inches (152.4 mm) in diameter.

SECTION 149. Section 905.9 is hereby amended as follows:

905.9 Riser Shutoff Valve sSupervision and Drain.

Each individual riser must be equipped with an indicating valve at its base and an approved valve for draining. Valves controlling water supplies shall be supervised in the open position so that a change in the normal position of the valve will generate a supervisory signal at the supervising station required by Section 903.4. Where a fire alarm system is provided, a signal shall also be transmitted to the control unit.

...

SECTION 150. Section 906.1 is hereby amended to read as follows:

906.1 Where rRequired.

Portable fire extinguishers shall be installed in the following locations.

1. In new and existing Group A, B, E, F, H, I, L, M, R-1, R-2, R-2.1, R-3.1, R 4, and S occupancies.

Exception: ~~In~~ When approved by the fire code official for Group R-2 occupancies, portable fire extinguishers shall be required only in locations specified in Items 2 through 6 where each dwelling unit is provided with a portable fire extinguisher having a minimum rating of 1-A:10-B:C.

...

SECTION 151. Section 907.5.2.3.5 is hereby added to read as follows:

907.5.2.3.5 Exterior Alarm Notification.

One approved exterior alarm visual device, located on the exterior of the building in an approved location, shall be provided to indicate to emergency responders the general location of an alarm annunciator.

SECTION 152. Section 910.2 is hereby amended to read as follows:

910.2 Where ~~r~~Required.

Smoke and heat vents or a mechanical smoke removal system shall be installed as required by Sections 910.2.1 and 910.2.2.

Exceptions:

4. Frozen food warehouses used solely for storage of Class I and II commodities where protected by an approved automatic sprinkler system.
- ~~2. Smoke and heat removal shall not be required in areas of buildings equipped with early suppression fast-response (ESFR) sprinklers.~~
- ~~3. Smoke and heat removal shall not be required in areas of buildings equipped with control mode special application sprinklers with a response time index of~~

~~50 (m - S)1/2 or less that are listed to control a fire in stored commodities with 12 or fewer sprinklers.~~

SECTION 153. Section 910.2.1.1 is hereby added to read as follows:

910.2.1.1 Group S-2.

Buildings and portions thereof containing a basement level enclosed parking garage exceeding 12,000 square feet (1108 m²).

SECTION 154. Section 910.3 is hereby amended as follows:

910.3 ~~Smoke and heat vents~~Design and Installation.

The design and installation of smoke and heat vents and draft curtains shall be ~~in accordance with~~ as specified in Sections 910.3.1 through ~~910.3.3~~910.3.5.2 and Table 910.3.

SECTION 155. Section 910.3.2 is hereby amended as follows:

910.3.2 ~~Smoke and heat vent locations~~Vent Operation.

~~Smoke and heat vents shall be located 20 feet (6096 mm) or more from adjacent lot lines and fire walls and 10 feet (3048 mm) or more from fire barriers. Vents shall be uniformly located within the roof in the areas of the building where the vents are required to be installed by Section 910.2, with consideration given to roof pitch, sprinkler location and structural members.~~Smoke and heat vents shall have the capability of being opened automatically and by an approved exterior manual operation. Automatic operation of smoke and heat vents shall conform to the provisions of Sections 910.3.2.1 through 910.3.2.3.

SECTION 156. Section 910.3.2.1 is hereby added as follows:

910.3.2.1 Gravity-Operated Drop-Out Vents.

Automatic smoke and heat vents containing heat-sensitive glazing designed to shrink and drop out of the vent opening when exposed to fire shall fully open within five minutes after the vent cavity is exposed to a simulated fire, represented by a time-temperature gradient that reaches an air temperature of 500°F (260°C) within five minutes.

SECTION 157. Section 910.3.2.2 is hereby added as follows:

910.3.2.2 Sprinklered Buildings.

Where installed in buildings provided with an approved automatic sprinkler system, smoke and heat vents shall be designed in accordance with Sections 910.3.2.2.1 through 910.3.2.2.3.

910.3.2.2.1 Automatic Operation.

Smoke and heat vents shall be designed to operate automatically.

910.3.2.2.2 Control Mode Sprinkler System.

Smoke and heat vents installed in areas of buildings with a control mode sprinkler system shall have operating elements with a higher temperature classification than the automatic fire sprinklers in accordance with NFPA 13.

910.3.2.2.3 Early Suppression Fast-Response (ESFR) Sprinkler System.

Smoke and heat vents installed in areas of buildings with early suppression fast-response (ESFR) sprinklers shall be equipped with a standard-response operating

mechanism with a minimum temperature rating of 360°F (182°C) or 100°F (56°C) above the operating temperature of the sprinklers, whichever is higher.

SECTION 158. Section 910.3.2.3 is hereby added as follows:

910.3.2.3 Nonsprinklered Buildings.

Where installed in buildings not provided with an approved automatic sprinkler system, smoke and heat vents shall operate by actuation of a heat-responsive device rated at between 100°F (38°C) and 220°F (104°C) above ambient.

Exception: Gravity-operated drop-out vents complying with Section 910.3.2.1.

SECTION 159. Section 910.3.3 is hereby amended as follows:

910.3.3 Smoke and heat vents areaVent Dimensions.

~~The required aggregate area of smoke and heat vents shall be calculated as follows:~~

~~For buildings equipped throughout with an automatic sprinkler system in accordance with Section 903.3.1.1:~~

~~$A_{VR} = V/9000$ (Equation 9-4)~~

~~where:~~

~~A_{VR} = The required aggregate vent area (ft²).~~

~~V = Volume (ft³) of the area that requires smoke removal.~~

~~For unsprinklered buildings:~~

~~$A_{VR} = A_{FA}/50$ (Equation 9-5)~~

~~where:~~

~~A_{VR} = The required aggregate vent area (ft²).~~

~~A_{FA} = The area of the floor in the area that requires smoke removal.~~

The effective venting area shall not be less than 16 square feet (1.5 m²) with no dimension less than four feet (1219 mm), excluding ribs or gutters having a total width not exceeding six inches (152.4 mm).

SECTION 160. Section 910.3.4 is hereby added as follows:

910.3.4 Vent Locations.

Smoke and heat vents shall be located 20 feet (6096 mm) or more from adjacent lot lines and fire walls and 10 feet (3048 mm) or more from fire barriers. Vents shall be uniformly located within the roof in the areas of the building where the vents are required to be installed by Section 910.2, with consideration given to roof pitch, draft curtain location, sprinkler location, and structural members.

SECTION 161. Section 910.3.5 is hereby added as follows:

910.3.5 Draft Curtains.

Where required by Table 910.3, draft curtains shall be installed on the underside of the roof in accordance with this section.

Exception: Where areas of buildings are equipped with ESFR sprinklers, draft curtains shall not be provided within these areas. Draft curtains shall only be provided at the separation between the ESFR sprinklers and the non-ESFR sprinklers.

910.3.5.1 Construction.

Draft curtains shall be constructed of sheet metal, lath and plaster, gypsum board or other approved materials that provide equivalent performance to resist the passage of smoke. Joints and connections shall be smoke tight.

910.3.5.2 Location and Depth.

The location and minimum depth of draft curtains shall be in accordance with

Table 910.3.

SECTION 162. Table 910.3 is hereby added as follows:

Table 910.3

Requirements for Draft Curtains and Smoke and Heat Vents^a

OCCUPANCY GROUP AND COMMODITY CLASSIFICATION	DESIGNATED STORAGE HEIGHT (feet)	MINIMUM DRAFT CURTAIN DEPTH (feet)	MAXIMUM AREA FORMED BY DRAFT CURTAINS (square feet)	VENT-AREA-TO FLOOR-AREA RATIO ^c	MAXIMUM SPACING OF VENT CENTERS (feet)	MAXIMUM DISTANCE FROM VENTS TO WALL OR DRAFT CURTAIN ^b (feet)
Group F-1 and S-1	—	$0.2 \times H^d$ but ≥ 4	50,000	1:100	120	60
High-piled storage (see Section 910.2.2) Class I-IV Commodities (Option 1)	≤ 20	6	10,000	1:100	100	60
	$> 20 \leq 40$	6	8,000	1:75	100	55
High-piled storage (see Section 910.2.2) Class I-IV Commodities (Option 2)	≤ 20	4	3,000	1:75	100	55
	$> 20 \leq 40$	4	3,000	1:50	100	50
High-piled storage (see Section 910.2.2) High-hazard Commodities (Option 1)	≤ 20	6	6,000	1:50	100	50
	$> 20 \leq 30$	6	6,000	1:40	90	45
High-piled storage (see Section 910.2.2) High-hazard Commodities (Option 2)	≤ 20	4	4,000	1:50	100	50
	$> 20 \leq 30$	4	2,000	1:30	75	40

For SI: 1 foot = 304.8 mm, 1 square foot = 0.0929 m².

- a. Additional requirements for rack storage heights in excess of those indicated shall be in accordance with Chapter 32. For solid-piled storage heights in excess of those indicated, an approved engineered design shall be used.
- b. Vents adjacent to walls or draft curtains shall be located within a horizontal distance not greater than the maximum distance specified in this column as measured perpendicular to the wall or draft curtain that forms the perimeter of the draft curtained area.
- c. Where draft curtains are not required, the vent area to floor area ratio shall be calculated based on a minimum draft curtain depth of six feet (Option 1).
- d. "H" is the height of the vent, in feet, above the floor.

SECTION 163. Section 910.4.3 is hereby amended to read as follows:

910.4.3 System dDesign eCriteria.

The mechanical smoke removal system shall be sized to exhaust the building at a minimum rate of two air changes per hour based upon the volume of the building or portion thereof without contents. Mechanical smoke removal systems provided for basement level enclosed parking garages shall be designed to provide a minimum of six complete air changes per hour. The capacity of each exhaust fan shall not exceed 30,000 cubic feet per minute (14.2 m³/sec).

SECTION 164. Section 910.4.4 is hereby amended to read as follows:

910.4.4 Activation.

The mechanical smoke removal system shall be activated by manual controls only. For basement level enclosed parking garages, mechanical smoke removal systems shall be automatically activated by the automatic sprinkler system or by heat detectors having operating characteristics equivalent to those described in Section 910.3. Individual manual controls for each fan unit shall also be provided.

SECTION 165. Section 912.2.1 is hereby amended to read as follows:

912.2.1 Visible lLocation.

Fire Department connections shall be located on the street address side of buildings, within 150 feet (via vehicular access) of an accessible public fire hydrant, and as close to the street curb face as possible, fully visible, and recognizable from the street or nearest point of Fire Department vehicle access or as otherwise approved by the Fire Chief. Fire Department connections shall be located a minimum of 25 feet

(7620 mm) from the structure. When this distance cannot be achieved, a minimum two-hour, fire-resistive wall shall be provided for the structure with no openings in the wall, 25 feet (7620 mm) in either direction from the Fire Department connection.

SECTION 166. Section 912.5 is hereby amended to read as follows:

912.5 Signs.

A metal sign with raised letters at least 4one inch (25 mm) in size shall be mounted on all Fire Department connections serving automatic sprinklers, standpipes, or fire pump connections. Such signs shall read, "AUTOMATIC SPRINKLERS" or "STAND PIPES" or "TEST CONNECTION" or a combination thereof as applicable. The sign shall indicate the street addresses of buildings the Fire Department connection serves. Where the Fire Department connection does not serve the entire building, a signs shall be provided indicating the portions of the building served. For a system where the required pumping pressure is greater than 150 psi, (1034.21 kpa) the sign shall indicate the required pumping pressure.

SECTION 167. Section 912.8 is hereby added to read as follows:

912.8 Identification.

Fire Department connections shall be painted red on any exposed surfaces subject to rust or corrosion. Coupling threads, operating mechanisms, sight windows, components, or portions of the valve where the application of paint would violate the listing of the valve or hinder its operation shall not be painted.

SECTION 168. Section 912.9 is hereby added to read as follows:

912.9 Breakable Caps or Plugs.

A fire hose coupling that is part of a Fire Department connection shall be provided with a protective breakable cap or plug. Missing or damaged breakable caps or plugs shall be replaced.

SECTION 169. Section 914.9.1 is hereby added to read as follows:

914.9.1 Spray Booths.

Spray booths shall be provided with automatic fire sprinkler system protection when the spray booth is located in a portion of a building that is protected with an automatic fire sprinkler system.

SECTION 170. Section 1009.9.1 is hereby added to read as follows:

1009.9.1 Signage for High-Rise Buildings.

Signs shall be posted in a conspicuous place on every floor of the high-rise building and elsewhere as required by the Fire Department. Such signs shall include the heading: "IN CASE OF FIRE OR EMERGENCY DO NOT USE ELEVATORS" and give directions to all emergency fire exits from that floor. If fire safety refuge areas are provided on that floor, the signs shall give directions to that area. All such lettering shall be in letters at least one inch (25 mm) high and contrasting color.

Exception: Occupant evacuation elevators installed in accordance with Section 403.6.2 of the Building Code.

SECTION 171. Section 2007.9 is hereby added to read as follows:

2007.9 Emergency Helicopter Landing Facility for High-Rise

Buildings.

An approved Emergency Helicopter Landing Facility (EHLF) shall be provided on the roof of any high-rise building exceeding 12 stories or 120 feet above the lowest level of Fire Department access hereinafter constructed. It shall be designed and constructed in accordance with the Los Angeles County Building Code and Title 24 of the California Code of Regulations.

SECTION 172. Section 2007.10 is hereby added to read as follows:

2007.10 Helistops in Fire Hazard Severity Zones.

2007.10.1 Surface.

When required by the fire code official, a graded 100-foot (30.48 m) x 100-foot (30.48 m) pad shall be covered with reinforced concrete, with a minimum depth of six inches (152.4 mm), capable of supporting 42,000 pounds (19050.88 kg).

2007.10.2 Hydrant.

When required by the fire code official, a fire hydrant shall be installed adjacent to the pad as approved by the fire code official.

2007.10.3 Access.

When required by the fire code official, a fire apparatus access road leading to the helistop shall be provided in accordance with Section 503.

SECTION 173. Section 2108.5 is hereby added to read as follows:

2108.5 Smoking.

Smoking in dry-cleaning plants shall only be within designated smoking rooms. "NO SMOKING" signs shall be posted in rooms containing flammable or combustible liquids. See Section 310.3.

SECTION 174. Section 2204.2 is hereby added to read as follows:

2204.2 Separators.

Approved magnetic or pneumatic separators shall be installed ahead of shellers, crackers, crushers, grinding machines, pulverizers, and similar machines in which the entrance of foreign materials could cause sparks to be generated.

SECTION 175. Section 2204.3 is hereby added to read as follows:

2204.3 Dust Collection.

Suitable dust-collecting equipment shall be installed on all dust-producing machinery and interlocked with the machinery power supply so that the machinery cannot be operated without the dust-collection equipment also operating.

SECTION 176. Section 2204.4 is hereby added to read as follows:

2204.4 Electrical Grounding.

Artificial lighting in areas containing dust-producing or dust-agitating operations shall be by electricity with wiring and electrical equipment installed in accordance with the Electrical Code. Machinery and metal parts of crushing, drying, pulverizing, and conveying systems shall be electrically grounded in accordance with the Electrical Code.

Static electricity shall be removed from machinery and other component parts by permanent grounds or bonds or both. The design and installation of such grounds shall be in accordance with approved standards.

SECTION 177. Section 2404.4 is hereby amended to read as follows:

2404.4 Fire Protection.

Spray booths and spray rooms shall be protected by an approved automatic fire-extinguishing system complying with Chapter 9. Protection shall also extend to exhaust plenums, exhaust ducts, and both sides of dry filters when such filters are used. Spray booths shall be provided with automatic fire sprinkler system protection when the spray booth is located in a portion of a building that is protected with an automatic fire sprinkler system.

SECTION 178. Section 2408.5 is hereby amended as follows:

2408.5 Sources of Ignition.

Smoking shall be prohibited and "NO SMOKING" signs shall be prominently displayed in compliance with Section 310.3 in areas where organic peroxides are stored, mixed, or applied. Only non-sparking tools shall be used in areas where organic peroxides are stored, mixed, or applied.

SECTION 179. Section 2504.6 is hereby added to read as follows:

2504.6 Smoking.

NO SMOKING signs shall be posted at every entrance, in compliance with Section 310.3, and smoking shall be prohibited in ripening rooms.

SECTION 180. Section 2602.1 is hereby amended to read as follows:

2602.1 Definitions.

The following terms are defined in Chapter 2.

FUMIGANT.

FUMIGATION.

FUMIGATOR.

INSECTICIDAL FOGGING.

SECTION 181. Section 2803.3.3 is hereby added to read as follows:

2803.3.3 Combustible Waste.

The storage, accumulation, and handling of combustible materials and control of vegetation shall be in accordance with Section 304.1.

SECTION 182. Section 2810 is hereby added to read as follows:

2810 STORAGE OF COMBUSTIBLE IDLE PALLETS

2810.1 General.

Storage of combustible idle pallets shall be in accordance with this section.

2810.2 Storage Location.

Pallets shall be stored outside or in a separate building designed for pallet storage unless stored indoors in accordance with Section 2810.3.

2810.3 Indoor Storage.

Pallet storage in a building used for other storage or other purpose shall be in accordance with the provisions for high-hazard commodity high-piled combustible storage contained in Chapter 32.

Exception: When indoor storage does not exceed six feet (1.8 m) in height and the aggregate volume of all stored pallets does not exceed 2,500 cubic feet (70.8 m³).

2810.4 Outdoor Storage.

Pallets stored outside shall be stored in accordance with Table 2810.4.1 and Table 2810.4.2 and Sections 2810.5 and 2810.6.

Table 2810.4.1

Required Clearance Between Outside Idle Pallet Storage and Other Yard Storage

Pile Size	Minimum Distance, in feet (m)
Under 50 pallets	20 (6.1 m)
50--200 pallets	30 (9.2 m)
Over 200 pallets	50 (15.2 m)

Table 2810.4.2

Required Clearance Between Outside Idle Pallet Storage and Structures

Wall Construction	Minimum distance of wall from storage, in feet (m)		
	Under 50 Pallets	50 to 200 Pallets	Over 200 Pallets
Masonry or concrete with no openings	0	0	15 (4.6 m)
Masonry with wired glass in openings, outside sprinklers and 1-hour doors	0	10 (3.1 m)	20 (6.1 m)
Masonry with wired or plain glass, outside sprinklers, and 3/4-hour doors	10 (3.1 m)	20 (6.1 m)	30 (9.2 m)
Wood or metal with outside sprinklers	10 (3.1 m)	20 (6.1 m)	30 (9.2 m)
Wood, metal, other	20 (6.1 m)	30 (9.2 m)	50 (15.2 m)

SECTION 183. Section 2810.5 is hereby added to read as follows:

2810.5 Outdoor Pile Dimensions.

Pallet stacks shall not exceed 15 feet (4.6 m) in height nor shall cover an area greater than 500 square feet (46.5 m²). Pallet stacks shall be arranged to form stable piles. Piles shall be separated by a minimum of 8 feet (2.5m). Piles shall be a minimum of 10 feet (3.1 m) from property lines.

SECTION 184. Section 2810.6 is hereby added to read as follows:

2810.6 Fire Department Access.

Fire Department access roadways shall be provided and maintained, in accordance with Section 503.

SECTION 185. Section 3104.21 is hereby amended to read as follows:

3104.21 Combustible ~~v~~Vegetation.

Combustible vegetation that could create a fire hazard shall be removed from the area occupied by a tent or membrane structure, and from areas within 30 feet (9144 mm) of such structures. When a tent or membrane structure has a capacity of 10 or more people, combustible vegetation shall be removed from areas within 50 feet of such structures. When a tent or membrane structure is located in a hazardous fire area, combustible vegetation shall be removed from areas within 50 feet from such structures or from areas within up to 200 feet from such structures when required by the fire code official.

SECTION 186. Section 3201.2 is hereby amended to read as follows:

3201.2 Permits.

A permit shall be required as set forth in Section 105.6. Prior to approval of storage racks, a building permit is required in occupancies regulated by this chapter. Proof of all required permits and all engineering calculations must be provided to the fire code official upon request. The approved permit must be kept on the premises and be available at all times for inspection by the fire code official.

SECTION 187. Table 3206.2 is hereby amended to read as follows:

Table 3206.2

General Fire Protection and Life Safety Requirements

COMMODITY CLASS	SIZE OF HIGH-PILED STORAGE AREA ^a (square feet) (see Sections 3206.2 and 3206.4)	ALL STORAGE AREAS (See Sections 3206, 3207 and 3208) ^b					SOLID-PILED STORAGE, SHELF STORAGE AND PALLETIZED STORAGE (see Section 3207.3)		
		Automatic fire-extinguishing system (see Section 3206.4)	Fire detection system (see Section 3206.5)	Building access (see Section 3206.6)	Smoke and heat removal (see Section 3206.7)	Draft curtains (see Section 3206.7)	Maximum pile dimension ^c (feet)	Maximum permissible storage height ^d (feet)	Maximum pile volume (cubic feet)
I-IV	0-500	Not Required ^a	Not Required	Not Required ^e	Not Required	<u>Not Required</u>	Not Required	Not Required	Not Required
	501-2,500	Not Required ^a	Yes ⁱ	Not Required ^e	Not Required	<u>Not Required</u>	100	40	100,000
	2,501-12,000 Public accessible	Yes	Not Required	Not Required ^e	Not Required	<u>Not Required</u>	100	40	400,000
	2,501-12,000 Nonpublic accessible (Option 1)	Yes	Not Required	Not Required ^e	Not Required	<u>Not Required</u>	100	40	400,000
	2,501-12,000 Nonpublic accessible (Option 2)	Not Required ^a	Yes	Yes	Yes	<u>Yes</u>	100	30 ^f	200,000
	12,001-20,000	Yes	Not Required	Yes	Yes	<u>Not Required</u>	100	40	400,000
	20,001-500,000	Yes	Not Required	Yes	Yes	<u>Not Required</u>	100	40	400,000

COMMODITY CLASS	SIZE OF HIGH-PILED STORAGE AREA ^a (square feet) (see Sections 3206.2 and 3206.4)	ALL STORAGE AREAS (See Sections 3206, 3207 and 3208) ^b					SOLID-PILED STORAGE, SHELF STORAGE AND PALLETIZED STORAGE (see Section 3207.3)		
		Automatic fire-extinguishing system (see Section 3206.4)	Fire detection system (see Section 3206.5)	Building access (see Section 3206.6)	Smoke and heat removal (see Section 3206.7)	Draft curtains (see Section 3206.7)	Maximum pile dimension ^c (feet)	Maximum permissible storage height ^d (feet)	Maximum pile volume (cubic feet)
	Greater than 500,000 ^g	Yes	Not Required	Yes	Yes	<u>Not Required</u>	100	40	400,000
High hazard	0-500	Not Required ^a	Not Required	Not Required ^e	Not Required	<u>Not Required</u>	50	Not Required	Not Required
	501-2,500 Public accessible	Yes	Not Required	Not Required ^e	Not Required	<u>Not Required</u>	50	30	75,000
	501-2,500 Nonpublic accessible (Option 1)	Yes	Not Required	Not Required ^e	Not Required	<u>Not Required</u>	50	30	75,000
	501-2,500 Nonpublic accessible (Option 2)	Not Required ^a	Yes	Yes	Yes	<u>Yes</u>	50	20	50,000
	2,501-300,000	Yes	Not Required	Yes	Yes	<u>Not Required</u>	50	30	75,000
	300,001-500,000 ^{g, h}	Yes	Not Required	Yes	Yes	<u>Not Required</u>	50	30	75,000

For SI: 1 foot = 304.8 mm, 1 cubic foot = 0.02832 m³, 1 square foot = 0.0929 m².

- a. Where automatic sprinklers are required for reasons other than those in Chapter 32, the portion of the sprinkler system protecting the high-piled storage area shall be designed and installed in accordance with Sections 3207 and 3208.
- b. For aisles, see Section 3206.9.
- c. Piles shall be separated by a minimum of 96-inch aisles complying with Section 3206.9.
- d. For storage in excess of the height indicated, special fire protection shall be provided in accordance with Note g where required by the fire code official. See Chapters 51 and 57 for special limitations for aerosols and flammable and combustible liquids, respectively.
- e. Section 503 shall apply for fire apparatus access.
- f. For storage exceeding 30 feet in height, Option 1 shall be used.
- g. Special fire protection provisions including, but not limited to, fire protection of exposed steel columns; increased sprinkler density; additional in-rack sprinklers, without associated reductions in ceiling sprinkler density; or additional Fire Department hose connections shall be provided when required by the fire code official.
- h. High-piled storage areas shall not exceed 500,000 square feet. A two-hour fire wall constructed in accordance with Section 706 of the International Building Code shall be used to divide high-piled storage exceeding 500,000 square feet in area.
- i. Not required where an automatic fire-extinguishing system is designed and installed to protect the high-piled storage area in accordance with Sections 3207 and 3208.
- j. ~~Not required where storage areas are protected by either early suppression fast response (ESFR) sprinkler systems or control mode special application sprinklers with a response time index of 50 (m * s)^{1/2} or less that are listed to control a fire in the stored commodities with 12 or fewer sprinklers, installed in accordance with NFPA 13.~~

SECTION 188. Section 3206.7 is hereby amended to read as follows:

3206.7 Smoke and ~~h~~Heat ~~r~~Removal.

Where smoke and heat removal are required by Table 3206.2, smoke and heat vents ~~it~~ shall be provided in accordance with Section 910. Where draft curtains are required by Table 3206.2, they shall be provided in accordance with Section 910.3.5.

SECTION 189. Section 3312.2 is hereby added to read as follows:

3312.2 Fire Hose.

When required by the fire code official, approved fire hoses with attached nozzles shall be maintained for immediate use at a construction site or a demolition site. Such hoses and nozzles shall be connected to an approved water supply. Where a fire hydrant is permitted to be used as the source of water supply, the fire hose connection to the fire hydrant shall not impede the Fire Department from using the hydrant.

SECTION 190. Section 3501.3 is hereby amended to read as follows:

3501.3 Restricted ~~a~~Areas.

Hot work shall only be conducted in areas designed or authorized for that purpose by the personnel responsible for a Hot Work Program. Hot work shall not be conducted in the following areas unless approval has been obtained from the fire code official:

...

3. Areas with readily ignitable materials, such as storage of large quantities of bulk sulfur, baled paper, cotton, lint, dust, or loose combustible materials, or wildfire risk areas.

...

SECTION 191. Section 3505.9 is hereby added to read as follows:

3505.9 Backflash Prevention.

Approved protective devices shall be installed in the fuel gas and oxygen lines to prevent backflash in the fuel system and backflow in the fuel and oxygen system in accordance with nationally recognized safe practices.

SECTION 192. Section 3604.2 is hereby amended to read as follows:

3604.2 Standpipes.

Marinas and boatyards shall be equipped throughout with standpipe systems in accordance with NFPA 303. Systems shall be provided with hose connections located such that no point on the marina pier or float system exceeds 150 feet (15 240 mm) from a standpipe hose connection. Standpipe systems shall be of a wet type unless the system is installed in an area that is subject to freezing temperatures.

SECTION 193. Section 3604.2.2 is hereby added to read as follows:

3604.2.2 Floats.

Portions of floats more than 250 feet (76,200 mm) travel distance from fire apparatus access shall be provided with an approved wet standpipe system.

3604.2.2.1 Hose Stations.

Hose stations shall be spaced to provide protection to all portions of floats or floating vessels. Hoses shall be mounted on a reel or rack and enclosed within an approved cabinet. Hose stations shall be labeled "FIRE HOSE – EMERGENCY USE ONLY." Listed equipment shall be used. Each hose station shall be provided with a

2½-inch (63.5 mm) fire hose valve with a 2½ x 1½ reducer and a maximum 100 feet of lined hose and an approved fog nozzle.

The pipe sizing shall be a minimum of 2½ inches (63.5 mm) and shall be based on providing 65 psi (448.159 kpa) at 100 GPM (.3785 m3) at the most remote hose station valve outlet, using a maximum 150 psi (1034.21 kpa) at the Fire Department inlet connection.

SECTION 194. Section 4801.3 is hereby amended to read as follows:

4801.3 Definitions.

...

APPROVED PRODUCTION FACILITY. An existing building, or portion of a building, or a group of buildings altered for use by the entertainment industry for the purpose of motion picture, television, and commercial production.

COMMERCIAL STILL PHOTOGRAPHY PRODUCTION. Includes all activity attendant to the staging or shooting of commercial still photography production to create single or multiple photographs for sale or use for a commercial purpose.

...

SECTION 195. Section 4803.2 is hereby amended to read as follows:

4803.2 Additional pPermits.

A permit shall be required for:

...

f) Any additional permits, including motion picture, commercial, and television productions, as required by the fire code official as determined in Section 105.6 of this code.

SECTION 196. Section 4803.4 is hereby amended to read as follows:

4803.4 Permit Fees.

Permit fees for permits required by Section 4803.2 and Section 105.6 shall be collected for the issuance of the following permits:

1. Motion picture, television, commercial, and related productions filming.

The permit fee shall be ~~\$282~~329.00.

2. Motion picture, television, commercial, and related production filming-Fuel-dispensing trucks and vehicles. The annual permit fee shall be ~~\$223~~208.00.

3. Motion picture, television, commercials, and related production filming-Pyrotechnics and special effects. The permit fee shall be ~~\$288~~344.00.

4. Commercial still photography production outside of an approved production facility and where the on-site cast and crew numbers fifteen (15) or more persons. The permit fee shall be ~~\$277~~330.00.

SECTION 197. Section 4807.1.1 is hereby added to read as follows:

4807.1.1 Fire Safety Officers/Advisors.

When in the opinion of the fire code official it is necessary for the preservation of life or property, due to the hazardous nature of an event, production, operation, or function, the fire official shall require the owner or lessee to employ or cause the

employment of one or more approved fire safety officers or advisors to be on duty at such place during the hazardous activity.

SECTION 198. Section 4811.9 is hereby amended to read as follows:

4811.9 Fire ~~d~~Department ~~a~~Access.

Required emergency vehicle access, fire lanes, and existing fire apparatus access roads shall be maintained as per Section 503. Any deviations are subject to approval by the fire code official.

SECTION 199. Section 4902.1 is hereby amended to read as follows:

4902.1 General.

For the purpose of this chapter, certain terms are defined as follows:

...

FIRE PROTECTION PLAN. A document prepared for a specific project or development proposed for a Wildland-Urban Interface Fire Area. It describes ways to minimize and mitigate potential for loss from wildfire exposure.

The Fire Protection Plan shall be in accordance with this ~~Article~~Chapter. When required by the ~~enforcing agency~~fire code official for the purposes of granting modifications, a fire protection plan shall be submitted. ~~Only locally adopted ordinances that have been filed with the California Building Standards Commission in accordance with Section 101.14 or the Department of Housing and Community Development in accordance with Section 101.15 shall apply.~~

FIRE HAZARD SEVERITY ZONES. Geographical areas designated pursuant to California Public Resources Codes Sections 4201 through 4204 and classified as Very

High, High, or Moderate in State Responsibility Areas or as Local Agency Very High Fire Hazard Severity Zones designated pursuant to California Government Code Sections 51175 through 51189. See Appendix P for the designations within the County of Los Angeles.

...

FUEL MODIFICATION PLAN. A fuel modification plan shall consist of a set of scaled plans that includes a plot plan showing fuel modification zones indicated with applicable assessment notes, a detailed landscape plan, and an irrigation plan. A fuel modification plan submitted for approval shall be prepared by a State licensed landscape architect, State licensed landscape contractor, a landscape designer, or an individual with expertise acceptable to the Forestry Division of the Fire Department.

...

STRUCTURE. That which is built or constructed, an edifice or building of any kind or any piece of work artificially built or composed of parts joined together in some definite manner, except any mobile home as defined in Health and Safety Code Section 18008, manufactured home, as defined in Health and Safety Code Section 18007, special purpose commercial coach, as defined in Health and Safety Code Section 18012.5, and recreational vehicle, as defined in Health and Safety Code Section 18010.

SECTION 200. Section 4905.2 is hereby amended to read as follows:

4905.2 Construction mMethods and rRequirements wWithin eEstablished lLimits.

Within the limits established by law, construction methods intended to mitigate wildfire exposure shall comply with the wildfire protection building construction requirements contained in the ~~California Building Standards~~ Los Angeles County Building Code including the following:

1. ~~California~~ Los Angeles County Building Code, Chapter 7A.
2. ~~California~~ Los Angeles County Residential Code, Section R327.
3. ~~California~~ Los Angeles County Referenced Standards Code, Chapter 12-7A and this chapter.

SECTION 201. Section 4907.1 is hereby amended to read as follows:

4907.1 General.

Defensible space will be maintained around all buildings and structures in State Responsibility Area (SRA) as required in Public Resources Code 4290 and "SRA Fire Safe Regulations" California Code of Regulations, Title 14, Division 1.5, Chapter 7, Subchapter 2, Section 1270.

Buildings and structures within the Very High Fire Hazard Severity Zones of a Local Responsibility Areas (LRA) shall maintain defensible space as outlined in Government Code 51175 - 51189, Chapter 3 of this code and any local ordinance of the authority having jurisdiction.

SECTION 202. Section 4908 is hereby added to read as follows:

4908 FUEL MODIFICATION

4908.1 Fuel Modification Plan in Fire Hazard Severity Zones.

A fuel modification plan shall be submitted and have preliminary approval prior to any subdivision of land; or, have final approval prior to the issuance of a permit for any permanent structure used for habitation; where, such structure, or subdivision is located within areas designated as a Fire Hazard Severity Zone within State Responsibility Areas or Very High Fire Hazard Severity Zone within the Local Responsibility areas, applicable Fire Hazard Zone maps, and Appendix M of this code at the time of application.

Preliminary approval:

- A. Subdivisions (under five lots).
- B. Tentative tract maps (five lots or greater).
- C. Coastal Development Permits (CDP).

Final approval:

- A. New construction:
 - 1. Any enclosed structure over 120 square feet
 - 2. Any structure enclosed on three sides or more and greater than or equal to 200 square feet (18.5 m²).

B. Remodel, reclassification, modification or reconstruction:

1. Any remodeling, modification, or reconstruction that increases the square footage of the existing structure or footprint by 50 percent or more within any 12-month period;

2. To the issuance of a permit for any structure that changes occupancy classification from any other class to Group R (residential) occupancy.

C. **Exemptions:**

1. Structures that do not require a building permit; or
2. Are constructed of non-combustible materials, open on all sides, and not used for storage or habitation.

Every fuel modification plan shall be reviewed by the Forestry Division of the Fire Department for defensible space, fire safety, and compliance with Sections 325.2.1, 325.2.2, 325.10, and 503.2.1 of this code, the Fire Department's fuel modification guidelines, and California Code of Regulations, Title 14, Division 1.5, Chapter 7, subchapter 2. Before such final plan has been approved by the Forestry Division of the Fire Department, a signed and notarized copy of the provided covenant and agreement (and/or previously reviewed and approved association CC&R's that include the necessary fuel modification information) shall be recorded at the County of Los Angeles Registrar-Recorder/County Clerk's Office and a copy given to the fuel modification unit.

An on-site inspection must be conducted by the personnel of the Forestry Division of the Fire Department and a final approval of the fuel modification plan issued by the Forestry Division prior to a certificate of occupancy being granted by the building

code official. The fuel modification inspection ensures compliance with applicable requirements of this code, the Building Code, Section 701A.5 (Vegetation management compliance), and the Residential Code, Section R327.1.5 (Vegetation management compliance).

SECTION 203. Section 4908.1.1 is hereby added to read as follows:

4908.1.1 Plan Modification.

Any modification to an approved fuel modification landscape plan or addition to a structure that affects the approved zones of an approved fuel modification plan must be reviewed and approved by the Fuel Modification Unit of the Fire Department prior to installation of landscaping or issuance of a construction permit by the building code official for such an addition.

SECTION 204. Section 4908.1.2 is hereby added to read as follows:

4908.1.2 Penalties.

An owner of a property found to be in non-compliance with the fuel modification requirements shall be subject to an administrative fine (Section 327) and applicable liens or assessments as allowed by the provisions of Title 1, Chapter 1.25 of the County Code and this code. Failure to comply with this code is punishable as a misdemeanor and subject to additional enforcement proceedings, including corrective measures which shall be done at the owner's expense in accordance with Section 325.

SECTION 205. Section 4908.2 is hereby added to read as follows:

4908.2 Appeals.

Any person who disagrees with any decision related to fuel modification plans may file a written appeal with the chief of the Forestry Division. The chief of the Forestry Division will adjudicate all policy interpretations relevant to fuel modification plan requirements and serve as the final authority in the appeals process.

SECTION 206. Section 4908.3 is hereby amended to read as follows:

4908.3 Fuel Modification Plan Check Fee Schedule.

A plan check fee shall be payable to the Fire Department, upon the submission of any fuel modification plan, landscape plan, or irrigation plan for review and approval by the Fire Department. For the purpose of this section, any tent, yurt, or trailer subject to fuel modification plan review will be considered a structure and fees will be based on the intended use. The amount of the plan check fee, for each such plan, shall be calculated in accordance with the following:

~~\$480.00~~575.46 for barns, garages, accessory structures; or

~~\$557.00~~667.48 for new residential, commercial, or industrial structures less than 2,500 square feet in total area, or additions/modifications to existing residential, commercial, or industrial structures which increase the total square footage or footprint by 50 percent or more and which addition/modification or occupancy type change is less than 2,500 square feet in total area; or

~~\$645.00~~773.49 for new residential, commercial, or industrial structures equal to or greater than 2,500 square feet in total area, or additions/modifications to existing

residential, commercial, or industrial structures which increase the total square footage or footprint by 50 percent or more and which addition/modification or occupancy type change is equal to or greater than 2,500 square feet in total area. New single-family residential structures meeting the above size criteria within a tract map containing 25 or more lots, where such residential structures are proposed to be built by the same individual or entity, the amount shall be ~~\$681.00~~680.69 or

~~\$127.00~~130.46 for parcel maps/lot splits of 4 or fewer parcels; or

~~\$767.00~~920.29 for tentative tract maps - preliminary plan approval; or

~~\$830.00~~995.34 for tract maps containing 5 to 20 lots, and, for tract maps containing more than 20 lots, an additional ~~\$512.00~~614.48 for each additional group of 1 to 10 lots greater than 20 lots - final plan approval.

Section 4908 is applicable to all unincorporated portions of Los Angeles County, to all cities that are a part of the Consolidated Fire Protection District of Los Angeles County, and to all cities that contract with the Consolidated Fire Protection District of Los Angeles County for services and adopt Section 4908 as part of their fire code. The fees in this Section 4908.3 shall be reviewed each fire code revision cycle by the Fire Department. The amount of each fee shall be adjusted as follows: calculate the hourly rate for all positions included in the fee calculations based on the Los Angeles County Board of Supervisors-approved salaries and employee benefits, and Los Angeles County Auditor-Controller approved overhead rates. The adjusted fee shall be rounded to the nearest dollar; provided, however, notwithstanding any of the above, no fee shall exceed the cost of providing the service for which the fee is collected.

SECTION 207. Section 5001.5 is hereby amended to read as follows:

5001.5 Permits.

Permits shall be required as set forth in Sections 105.6 and 105.7.

When required by the fire code official, permittees shall apply for approval to permanently close a storage, use, or handling facility. Such application shall be submitted at least 30 days prior to the termination of the storage, use, or handling of hazardous materials. The fire code official is authorized to require that the application be accompanied by an approved facility closure plan in accordance with Section 5001.6.3. A unified program facility permit shall be required for hazardous materials handlers, hazardous waste generators, or on-site treatment of hazardous waste in accordance with Chapters 12.50, 12.52, and 12.64 of the County Code. Unified program facility permits, if required, shall be obtained prior to the issuance of any fire code permit required by this code.

A permit shall be required for tank vehicles or railroad tank cars to remain on a siding indoors or outdoors, at the point of delivery while connected for transfer operations. Transfer operations shall be in accordance with DOT requirements and this code.

SECTION 208. Section 5001.5.1.1 is hereby added to read as follows:

5001.5.1.1 Hazardous Materials Business Plan.

Each application for a permit for businesses handling or storing hazardous materials at any time during the year exceeding 55 gallons (208.198 l), 500 pounds (226.796 kg), or 200 cubic feet (5663.37 L) shall include a hazardous materials

business plan (HMBP). The location of the HMBP shall be posted adjacent to permits when an HMBP is provided. The HMBP shall include a facility site plan designating the following:

1. Storage and use areas.
2. Maximum amount of each material stored or used in each area.
3. Range of container sizes.
4. Locations of emergency isolation and mitigation valves and devices.
5. Product conveying piping containing liquids or gases, other than utility-owned fuel gas lines and low-pressure fuel gas lines.
6. On and off positions of valves for valves which are of the self-indicating type.
7. Storage plan showing the intended storage arrangement, including the location and dimensions of aisles.

The plans shall be legible and approximately to scale. Separate distribution systems are allowed to be shown on separate pages.

SECTION 209. Section 5001.5.1.2 is hereby added to read as follows:

5001.5.1.2 Application.

Each application for a permit required by this chapter shall include a hazardous materials business plan (HMBP) in accordance with Chapter 12.64 of Title 12 of the County Code.

SECTION 210. Section 5001.5.2.1 is hereby added to read as follows:

5001.5.2.1 Hazardous Materials Disclosure.

A chemical inventory prepared in accordance with Chapter 12.64 of Title 12 of the County Code shall be considered the equivalent of the hazardous materials inventory statement (HMIS) discussed in Section 5001.5.2.

SECTION 211. Section 5001.5.2.2 is hereby added to read as follows:

5001.5.2.2 Health Hazardous Materials Division ("HHMD")

Authority.

The provisions of Chapter 50 of this code may be enforced by any duly-authorized technician, health hazardous materials division staff, or fire code official of this department.

SECTION 212. Section 5001.5.2.3 is hereby added to read as follows:

5001.5.2.3 Reporting.

Every business shall comply with the reporting requirements as set forth in Chapter 12.64 of Title 12 of the County Code.

SECTION 213. Section 5001.5.2.4 is hereby added to read as follows:

5001.5.2.4 Notification.

The fire code official and the HHMD shall be notified immediately when an unauthorized discharge becomes reportable under State, federal, or local regulations.

SECTION 214. Section 5001.5.2.5 is hereby added to read as follows:

5001.5.2.5 California Accidental Release Prevention Program.

Every business shall comply with the requirements as set forth in Chapter 12.64 of Title 12 of the County Code.

SECTION 215. Section 5001.5.2.6 is hereby added to read as follows:

5001.5.2.6 Emergency Information.

Hazardous materials business plans, risk management prevention programs, and hazardous materials inventory statements shall be posted in an approved location and immediately available to emergency responders. The fire code official may require that the information be posted at the entrance to the occupancy or property.

SECTION 216. Section 5002.1 is hereby amended to read as follows:

5002.1 Definitions.

The following terms are defined in Chapter 2.

ASSESS.

...

CONSOLIDATED CONTINGENCY PLAN.

...

DEPARTMENT OF TOXIC SUBSTANCE CONTROL (DTSC).

...

EPA ID NUMBER.

...

HAZARDOUS WASTE.

HAZARDOUS WASTE CONTROL LAW.

...

HEALTH HAZARDOUS MATERIALS DIVISION (HHMD).

...

UNIFIED PROGRAM.

UNIFIED PROGRAM FACILITY PERMIT.

...

WASTE.

SECTION 217. Section 5003.2.1 is hereby amended to read as follows:

5003.2.1 Design and eConstruction of eContainers, eCylinders, and tTanks.

Containers, cylinders, and tanks shall be designed and constructed in accordance with approved standards. Containers, cylinders, tanks, and other means used for containment of hazardous materials shall be of an approved type. Pressure vessels not meeting DOT's requirements for transportation shall comply with the ASME Boiler and Pressure Vessel Code. Tank vehicles and railroad tank cars shall be used in accordance with Section 5005.

SECTION 218. Section 5003.2.5 is hereby amended to read as follows:

5003.2.5 Empty eContainers and tTanks.

Empty containers and tanks previously used for the storage of hazardous materials shall be free from residual material and vapor as defined by DOT's, the Resource Conservation and Recovery Act (RCRA), or other regulating authority or

maintained as specified for the storage of the hazardous material. Containers larger than five gallons (18.9271 L) in capacity shall be marked with the date they have been emptied and shall be reclaimed, reconditioned, or remanufactured within one year of being emptied. Containers which previously held acute or extremely hazardous materials are considered empty if the container has been triple-rinsed and the rinsate managed as a hazardous waste. If the activity does not qualify for an exemption, the activity may require a permit to treat on site.

SECTION 219. Section 5003.3.1.2 is hereby amended to read as follows:

5003.3.1.2 Preparation.

~~Provisions shall be made for controlling and mitigating unauthorized discharges.~~The consolidated contingency plan of the Unified Program of the hazardous material business plan shall be prepared and maintained. Copies shall be on-site and submitted every three years to the Fire Department as required by the provisions of the California Health and Safety Code, Division 20, Chapter 6.95, Hazardous Materials Release Response Plans and Inventory.

SECTION 220. Section 5003.3.1.3 is hereby amended to read as follows:

5003.3.1.3 Control.

When an unauthorized discharge caused by primary container failure is discovered, the involved primary container shall be repaired or removed from service. Any waste generated as a result of the unauthorized discharge must be disposed of in accordance with all applicable regulations pertaining to hazardous waste. If the facility

does not have an EPA ID number, it must obtain a temporary ID number from DTSC prior to disposal.

SECTION 221. Section 5003.3.1.4 is hereby amended to read as follows:

5003.3.1.4 Responsibility for eCleanup.

The person, firm, or corporation responsible for an unauthorized discharge shall institute and complete all actions necessary to remedy the effects of such unauthorized discharge, whether sudden or gradual, without cost to the jurisdiction. When deemed necessary by the fire code official, cleanup may be initiated by the Fire Department or by an authorized individual or firm. Costs associated with such cleanup shall be borne by the owner, operator, or other person responsible for the unauthorized discharge. Upon termination of cleanup activities, the HHMD emergency operation section of the Fire Department must be contacted to assess cleanup measures and to clear the site for re-occupancy or reuse.

SECTION 222. Section 5003.5 is hereby amended to read as follows:

5003.5 Hazard identification signs.

Unless otherwise exempted by the fire code official, visible hazard identification signs as specified in NFPA 704 for the specific material contained shall be placed on stationary containers and above-ground tanks and at entrances to locations where hazardous materials are stored, dispensed, used, or handled in quantities requiring a permit and at specific entrances and locations designated by the fire code official. Each building that stores, handles, or dispenses a hazardous material shall be conspicuously posted with the overall occupancy hazard by using the NFPA 704 placard system for

any product or waste that has a three or higher rating in any category or is a special hazard.

SECTION 223. Section 5003.8.5.2.1 is hereby added to read as follows:

5003.8.5.2.1 Ventilation and Storage Arrangement.

Compressed gas cylinders shall be stored within gas cabinets, exhaust enclosures, or gas rooms. Portable or stationary tanks shall be stored within gas rooms or exhaust enclosures. Tank vehicles or railroad tank cars engaged in the use or dispensing of toxic or highly toxic gases shall be stored within a ventilated separate gas storage room or placed within an exhaust enclosure. When stationary or portable cylinders, containers, tanks, railroad tank cars, or tank vehicles are located outdoors for dispensing or use of toxic or highly toxic gases, gas cabinets or exhaust enclosures shall be provided.

SECTION 224. Section 5003.9.1.1 is hereby amended to read as follows:

5003.9.1.1 Fire Department Liaison.

Responsible persons shall be designated and trained to be liaison personnel for the Fire Department. These persons shall aid the Fire Department in preplanning emergency responses and identifying the locations where hazardous materials are located, and shall have access to Material Safety Data Sheets and be knowledgeable in the site's emergency response procedures. These persons shall be identified as the emergency coordinator with 24-hour contact numbers in the business plan as required by the provisions of the California Health and Safety Code, Division 20, Chapter 6.95, Business and Area Plans.

SECTION 225. Section 5003.11.3.8 is hereby amended to read as follows:

5003.11.3.8 Floors.

Floors shall be in accordance with Section 5004.12. Floors shall be level and impervious.

SECTION 226. Section 5005.1 is hereby amended to read as follows:

5005.1 General.

Use, dispensing, and handling of hazardous materials in amounts exceeding the maximum allowable quantity per control area set forth in Section 5003.1 shall be in accordance with Sections 5001, 5003, and 5005. Use, dispensing, and handling of hazardous materials in amounts not exceeding the maximum allowable quantity per control area set forth in Section 5003.1 shall be in accordance with Sections 5001 and 5003. Tank vehicles and railroad tank cars shall not be used as a means of hazardous materials storage. Indoor unloading or transfer operations from tank vehicles or railroad tank cars shall be in accordance with Section 5005.2.

Outdoor unloading or transfer operations shall be in accordance with Section 5005.3.

SECTION 227. Section 5005.1.11.1 is hereby added to read as follows:

5005.1.11.1 Bulk Plant or Terminal.

Gases or liquids having a hazard ranking of three or four in accordance with NFPA 704 shall not be transferred from a tank vehicle or tank car into the cargo tank of another tank vehicle or tank car.

Exception: In an emergency, gases or liquids having a hazard rating of three or four may be transferred from a tank vehicle or tank car to the cargo tank of another tank vehicle or tank car when approved by the fire code official.

SECTION 228. Section 5601.1.3 is hereby amended to read as follows:

5601.1.3 Fireworks.

The possession, manufacture, storage, sale, handling and use of fireworks are prohibited.

Exceptions:

...

4. The possession, storage, sale, handling and use of specific types of Division 1.4G fireworks, including safe and sane, where allowed by applicable laws, ordinances and regulations, provided such fireworks and facilities comply with NFPA 1124, CPSC 16 CFR Parts 1500 and 1507, and DOTn 49 CFR Parts 100–185, for consumer fireworks and Health and Safety Code Division 11.

SECTION 229. Section 5601.1.4 is hereby amended to read as follows:

5601.1.4 Rocketry.

For rocketry requirements see California Code of Regulations, Title 19, Division 1, Chapter 6, reprinted in Sections 5610, 5611, ~~and 5612~~, also in accordance with NFPA 1122, NFPA 1125, and NFPA 1127 for fire and life safety matters not regulated by State law.

SECTION 230. Section 5601.2.1 is hereby added to read as follows:

5601.2.1 Fees.

As required by California Health and Safety Code Section 12105, a permit for the storage of explosives shall not be issued until after the payment of a fee of \$10.00, unless the quantity of explosives is 100 pounds or less, in which case the fee shall be \$2.00. The permit fee shall be equally divided and deposited into the Treasury of the County of Los Angeles and into the State Treasury.

SECTION 231. Section 5608.1 is hereby amended to read as follows:

5608.1 General.

~~Outdoor Fireworks~~ displays, use of pyrotechnics before a proximate audience, and pyrotechnic special effects in theatrical and group entertainment productions shall comply with California Code of Regulations, 1 Title 19, Division 1, Chapter 6-Fireworks and this section-chapter. Additionally, firework displays and pyrotechnics before a proximate audience shall be conducted in accordance with NFPA 1123 or NFPA 1126 for fire and life safety matters not regulated by State law.

SECTION 232. Section 5614 is hereby added to read as follows:

5614 Seizure of Explosives, Explosive Materials, and Fireworks.

The fire code official is authorized to remove or cause to be removed or disposed of in an approved manner, at the expense of the owner, explosives, explosive materials, or fireworks offered or exposed for sale, stored, possessed, or used in violation of this

chapter. Seizure shall be conducted in accordance with California Health and Safety Code Sections 12350 through 12355 and 12721 through 12724.

SECTION 233. Section 5701.4.1 is hereby added to read as follows:

5701.4.1 Plans.

Plans shall be submitted with each application for a permit to store more than 5,000 gallons (18,925 L) of liquids outside of buildings in drums or tanks. The plans shall indicate the method of storage, quantities to be stored, distances from buildings and property lines, accessways, fire-protection facilities, and provisions for spill control and secondary containment.

SECTION 234. Section 5701.6 is hereby added to read as follows:

5701.6 Maintenance and Operating Practices.

Maintenance and operating practices shall be in accordance with established procedures which will tend to control leakage and unauthorized discharge of flammable or combustible liquids. Spills shall be cleaned up promptly.

SECTION 235. Section 5704.2.6.1 is hereby added to read as follows:

5704.2.6.1 Waste Control.

Waste liquids shall be kept in a sump, tank, or receptacle approved for this purpose. The waste must be disposed of in accordance with the provisions of the California Health and Safety Code, Division 20, Chapter 6.5, Hazardous Waste Control.

SECTION 236. Section 5704.2.8.3 is hereby amended to read as follows:

5704.2.8.3 Secondary eContainment.

Vaults shall be substantially liquid tight and there shall be no backfill around the tank or within the vault. The vault floor shall drain to a sump. For pre-manufactured vaults, liquid tightness shall be certified as part of the listing provided by a nationally-recognized testing laboratory. For field-erected vaults, liquid tightness shall be certified in an approved manner. Secondary containment shall be provided for new installations of underground tanks and existing tanks with a breach in integrity.

SECTION 237. Section 5704.2.8.16.1 is hereby added to read as follows:

5704.2.8.16.1 System Requirements.

The fire protection system shall be a deluge type foam system, which provides a minimum of .25 GPM (.9463 L) over the entire vault area. The minimum duration of the foam supply shall be 10 minutes. If a manual system is provided, it must assume a maximum of 125 psi (861.85 Kpa) at the Fire Department connection.

SECTION 238. Section 5704.2.9.1.1 is hereby added to read as follows:

5704.2.9.1.1 Required Foam Fire Protection Systems.

All above-ground tanks exceeding 1,500 square feet (139.3546 m²) feet of liquid surface area used for the storage of Class I or Class II flammable liquids shall be provided with foam fire protection.

Exceptions:

1. Tanks with floating roofs for storage of crude oil exceeding 1,500 square feet (139.3546 m²) of liquid surface area and less than 12,300 square feet (1142.7074 m²) of liquid surface area shall have foam fire protection only for the seal area.
2. Floating roof tanks or pressure tanks operating at or above one-pound-per square inch gauge.

SECTION 239. Section 5704.2.9.6.1.3 is hereby amended to read as follows:

5704.2.9.6.1.3 Location of ~~t~~Tanks ~~s~~Storing ~~b~~Boilover ~~l~~Liquids.

Above-ground tanks for storage of liquids with boilover characteristics shall be located in accordance with Table 22.4.1.4 of NFPA 30. Shell-to-shell spacing between tanks shall not be less than the diameter of the largest tank.

SECTION 240. Section 5704.3.7.6 is hereby added to read as follows:

5704.3.7.6 Construction.

The construction of liquid storage rooms shall be in accordance with the Building Code and have a minimum of one exterior wall having a door providing firefighting access.

SECTION 241. Section 5706.3.1.4 is hereby added to read as follows:

5706.3.1.4 Zoning Regulations.

The permit for any new well shall be issued only after the applicant has complied with applicable planning and zoning regulations.

SECTION 242. Section 5706.3.9 is hereby added to read as follows:

5706.3.9 Permits.

For permits to drill, own, operate, or maintain an oil or natural gas well, see Section 105.6.17. No person shall drill, own, operate, or maintain any oil or natural gas well without first obtaining a permit. Each oil or natural gas well permit shall be valid only for the calendar year in which it is issued. The permit fee shall be ~~\$48~~\$314.00. There shall be no charge for renewals.

SECTION 243. Section 5706.4 is hereby amended to read as follows:

5706.4 Bulk plants or terminals.

Portions of properties where flammable and combustible liquids are received by tank vessels, pipelines, tank cars, or tank vehicles and stored, transferred, or blended in bulk for the purpose of distribution by tank vessels, pipelines, tank cars, tank vehicles, or containers shall be in accordance with Sections 5706.4.1 through 5706.4.10.4.

SECTION 244. Section 5706.5.1.1 is hereby amended to read as follows:

5706.5.1.1 Location.

Bulk transfer and process transfer operations shall be conducted in approved locations. Tank cars shall be unloaded only on private sidings or railroad-siding facilities equipped for transferring flammable or combustible liquids. Tank vehicle and tank car transfer facilities shall be separated from buildings, above-ground tanks, combustible materials, lot lines, public streets, public alleys, or public ways by a distance of ~~25 feet (7,620 mm)~~100 feet (30,480 mm) for Class I liquids and ~~15 feet (4,572 mm)~~25 feet (7,620 mm) for Class II and III liquids measured from the nearest position of

any loading or unloading valve. Buildings for pumps or shelters for personnel shall be considered part of the transfer facility.

SECTION 245. Section 5706.5.1.19 is hereby added to read as follows:

5706.5.1.19 Liquid Transfer.

Class I, II, or III liquids shall be transferred from a tank vehicle or tank car only into an approved atmospheric tank or approved portable tank, except as provided in Sections 5706.5.4.4 through 5706.5.4.6.

SECTION 246. Section 5706.5.4.6 is hereby added to read as follows:

5706.5.4.6 Time Limit for Unloading and Permit.

Tank vehicles and railroad tank cars shall be unloaded as soon as possible after arrival at point of delivery and shall not be used as storage tanks. Tank cars shall be unloaded only on private sidings or railroad siding facilities equipped for transferring the liquid between tank cars and permanent storage tanks. A permit shall be required for a tank car to remain on a siding at the point of delivery while connected for transfer operations. Transfer operations shall be in accordance with DOT requirements and this code.

SECTION 247. Section 5706.6.1.12 is hereby added to read as follows:

5706.6.1.12 Transfer of Cargo.

Class I, II, or III liquids shall not be transferred from a tank vehicle or tank car into the cargo tank of another tank vehicle or tank car.

Exception: In an emergency, Class I, II, or III liquids may be transferred from a tank vehicle or tank car to the cargo tank of another tank vehicle or tank car when approved by the fire code official.

SECTION 248. Section 6104.4 is hereby amended to read as follows:

6104.4 Multiple LP-gas Container Installations.

...

Where one of these forms of protection is provided, the separation shall not be less than 25 feet (7620 mm) between LP-gas container groups. At LP-gas multi-container installations, the aggregate capacity of the containers shall be used to determine minimum distances to the buildings or adjoining property lines.

SECTION 249. Section 6104.5 is hereby added to read as follows:

6104.5 Tank Car and Tank Vehicle Stations.

Tank car and tank vehicle bulk loading and unloading stations shall be located not less than 100 feet from buildings, source of ignition, or adjoining property lines that may be built upon.

SECTION 250. Section 6104.6 is hereby added to read as follows:

6104.6 Container Orientation.

Unless special protection is provided and approved by the fire code official, LP-gas containers shall be oriented so that the longitudinal axes do not point toward other LP-gas containers, vital process equipment, control rooms, loading stations, or flammable liquid storage tanks.

SECTION 251. Section 6106.1 is hereby amended to read as follows:

6106.1 Attendants.

Dispensing of LP-gases shall be performed by a qualified attendant. Self-service LP-gas dispensing open to the public is prohibited.

SECTION 252. Chapter 81 is hereby added to read as follows:

CHAPTER 81 AUTOMOBILE WRECKING YARDS

8101 GENERAL

8101.1 Scope.

Automobile wrecking yards shall comply with the requirements of Chapter 81.

For rubbish handling operations, see Chapters 3 and 23.

8102 DEFINITIONS

8102.1 Limited Application.

For the purpose of Chapter 81, the following term is defined in Chapter 2:

MOTOR VEHICLE FLUIDS.

8103 PERMITS

Permits to operate automobile wrecking yards are required. See Section 105.6.45.

8104 FIRE APPARATUS ACCESS ROADS

Fire apparatus access roads shall be constructed and maintained throughout the site in accordance with Section 503 of this code. Aisles or passageways shall be provided so as to allow Fire Department hose streams to reach all stored items and material.

8105 WELDING AND CUTTING

Welding and cutting operations shall be in accordance with Chapters 35 and 53 of this code.

8106 HOUSEKEEPING

Combustible rubbish accumulated on the site shall be collected and stored in approved containers, rooms, or vaults of non-combustible materials. Combustible vegetation, cut or uncut, shall be removed when determined by the fire code official to be a fire hazard.

8107 FIRE PROTECTION

Offices, storage buildings, and vehicles used for site operations shall each be provided with at least one portable fire extinguisher with a rating of not less than 4-A: 40-B: C. When required by the fire code official, additional portable fire extinguishers shall be provided in specific use areas in accordance with Section 906.

8108 TIRES

Tires shall be stored on racks in an approved manner or shall be piled in accordance with Chapter 34 and Section 315.4.

8109 BURNING OPERATIONS

The burning of salvage vehicles and salvage or waste materials shall be in accordance with Section 307 and federal, State, or local air quality control regulations.

**8110 MOTOR VEHICLE FLUIDS AND HAZARDOUS
MATERIALS**

8110.1 General.

The storage, use, and handling of motor vehicle fluids and hazardous materials, such as those used to operate air bags and electrical systems, shall be in accordance with Section 8110 and Chapters 23, 50, and 57.

8110.2 Motor Vehicle Fluids.

Motor vehicle fluids shall be drained from salvage vehicles when such fluids are leaking. Storage and handling of motor vehicle fluids shall be done in an approved manner. Flammable and combustible liquids shall be stored and handled in accordance with Chapters 23, 50, and 57.

8110.3 Mitigation for Vehicle Fluid Leaks.

Supplies or equipment capable of mitigating leaks from fuel tanks, crankcases, brake systems, and transmissions shall be kept available on-site. Single-use plugging, diking, and absorbent materials shall be disposed of as hazardous waste and removed from the site in a manner approved by federal, State, or local requirements.

8110.4 Lead-Acid Batteries.

Lead-acid batteries shall be removed from salvage vehicles when such batteries are leaking. Lead-acid batteries that have been removed from vehicles shall be stored in an approved manner.

SECTION 253. Chapter 82 is hereby added to read as follows:

CHAPTER 82 INFRACTIONS

8201 GENERAL

8201.1 Offenses Deemed Infractions.

In accordance with Section 109.3, the violation of the following sections or subsections shall be infractions:

Section	Offense
303.1 - 303.9	Asphalt kettles
304.1.1	Waste material
304.1.2	Vegetation
304.2	Combustible waste rubbish—storage
305.2	Hot ashes and spontaneous ignition sources
310.4	Removal "No smoking" sign
315.3.2.1	Stairway-storage under
503.4	Obstructing access roadway
505.1	Address identification
507.5.4 - 507.5.5	Obstruction of fire hydrants
507.5.6	Physical protection-fire hydrants
507.5.7	Firefighting water source markers
507.5.8	Identification-private fire hydrant
507.5.9	Private fire hydrant caps or plugs
605.5	Electrical extension cords
901.7	Failure to notify Fire Department
901.6.3.1	Signs-above ground water control valves
901.6.3.2	Locks-above ground water control valves
901.6.3.3	Identification-above ground water control valves
906.1 - 906.10	Fire extinguishers
912.7	Identification-Fire Department connection
912.8	Breakable caps or plugs-Fire Department connection
1007.9	Exit doors identification
1008.1.9.1	Door-operating devices
1104.3	Sign illumination
2003.2	"No Smoking" signs within aircraft hangers
2108.4	Fire extinguisher-dry cleaning plant

Section	Offense
2108.5	No smoking signs-dry cleaning plant
2311.2.2	Waste oil storage
2403.2.7	Welding warning signs
2403.4	Operations and maintenance
2403.4.3	Metal waste cans for rags and waste
2404.7.8.5	Filter disposal
2405.3.4	Dip tank covers
2405.4.2	Portable fire protection equipment
2406.5	Maintenance-powder coating
2407.1	Maintenance-electrostatic apparatus
2407.5.2	Signs-"Danger"
2408.5	Sources of ignition (organic peroxides)
2505.1	Housekeeping-fruit ripening room
2803.3.1	Lumber yards-housekeeping
2803.3.3	Combustible waste
3103.12.6.1	Exit sign illumination
3104.21	Vegetation removal
3603.2	Open flame device-boat or marina
3603.4	Rubbish containers-marina
3604.4	Portable fire extinguishers-marinas
4811.9	Fire Department access-motion picture production locations
4811.12	Blocked or obstructed fire hydrants and appliances
5003.5	Hazardous materials signage
5003.7.1	No smoking signs-hazardous materials
5004.11	Combustible materials clearance-hazardous materials storage
5005.3.8	Combustible materials clearance-hazardous materials use
5303.4	Markings-compressed gases
5303.5	Security-compressed gases

Section	Offense
5701.6	Maintenance and operating practices-flammable and combustible liquids
5704.2.3.1	"No smoking" sign
5704.3.3.4	Empty containers
6107.2	"No smoking" signs-LPG container
6107.3	Combustible material clearance LPG container
8104	Auto wrecking yards-fire apparatus access

8201.2 Penalties for Infractions.

Every violation determined to be an infraction is punishable by a fine not to exceed \$100.00 for the first violation, \$200.00 for the second, \$500.00 for the third, and \$500.00 for each additional violation of the same ordinance within one year. Each such violation is a separate offense for each and every day during any portion of which such violation is committed or allowed to continue. For the purposes of this section a forfeiture of bail shall be equivalent to a conviction.

SECTION 254. Chapter 83 is hereby added to read as follows:

CHAPTER 83 CONSOLIDATED FIRE PROTECTION DISTRICT OF

LOS ANGELES FIRE CODE

8301 FIRE CODE ADOPTED

Title 32 (Fire Code) of the Los Angeles County Code is hereby adopted and incorporated herein by reference at this point as if set forth at length herein as the Fire Code for the Consolidated Fire Protection District of Los Angeles County (District).

A copy of Title 32 of the Los Angeles County Code has been filed in the Executive Office of the Board of Supervisors and shall be at all times maintained by the executive office for use and inspection by the public.

8302 AREAS REGULATED

The District finds and declares that this code does not occupy the whole area of any subject matter regulated or covered therein except where this code expressly states its intent to occupy the whole area of any subject matter regulated or covered therein.

Thus, in enacting this ordinance, it is not the intent of the District to preempt or otherwise nullify any other local ordinance containing different standards and protections.

8303 APPLICABILITY

Except as provided in California Health and Safety Code Section 13869.7, this code shall apply to, and be enforceable in, all areas, including cities and unincorporated areas, served by the District. All references in this code to the Los Angeles County Building Code, Residential Code, Mechanical Code, Plumbing Code, Green Building Standards Code, Fire Code, and Electrical Code shall mean the appropriate legally applicable code adopted by each incorporated city that is a part of the District, or receives services from the District.

SECTION 255. Appendix B, Section B103.3 is hereby amended to read as follows:

B103.3 Areas ~~w~~Without ~~w~~Water ~~s~~Supply ~~s~~Systems.

~~For information regarding water supplies for fire fighting purposes in rural and suburban areas in which adequate and reliable water supply systems do not exist, the fire code official is authorized to utilize NFPA 1142 or the California Wildland-Urban Interface Code. Parcels that are located outside the service boundary, above the existing pressure zone, or more than 2,000 lineal feet (609.6 m) from an existing water main of a water purveyor may provide an on-site water supply, when approved by the fire code official. For one-family dwellings the water supply shall be in accordance with Table B103.3. For other than one-family dwellings, the water supply shall be in accordance with NFPA 1142 or NFPA 13 water supply requirement, whichever is greater.~~

SECTION 256. Appendix B, Table B103.3 is hereby added to read as follows:

Table B103.3

Tank Sizes for One-Family Dwellings

Fire flow calculation area	Tank size
0–3,600 square feet	13,000 gal
3,601-5,999 square feet	16,500 gal
6,000 square feet and greater	20,000 gal

SECTION 257. Appendix B, Section B104.2 is hereby amended to read as follows:

B104.2 Area sSeparation.

Portions of buildings which are separated by fire walls without openings, constructed in accordance with the ~~California~~Los Angeles County Building Code, are allowed to be considered as separate fire-flow calculation areas. Fire barriers or fire partitions cannot be used to create separate fire-flow calculation areas.

SECTION 258. Appendix B, Section B105.1 is hereby amended to read as follows:

B105.1 One- and ~~Two-~~Family dwellings, and Group R-3 and ~~R-4 b~~Buildings and townhouses.

The minimum fire-flow and flow duration requirements for one- and two-family dwellings, and Group R-3 ~~and R-4~~ buildings and townhouses shall be as specified in Tables B105.1(1) and B105.1(2).

Exception: The minimum fire-flow for one- and two-family dwellings, and Group R-3 buildings located in a fire hazard zone shall not be less than 1,250 gallons (15,141.6 L/min) per minute.

SECTION 259. Appendix B, Section B105.2 is hereby amended to read as follows:

B105.2 Buildings ~~Other Than One- and Two-Family~~ Dwellings, and Group R-3 and R-4 Buildings and townhouses.

The minimum fire-flow and flow duration for buildings other than one- and two-family dwellings, and Group R-3 and R-4 buildings and townhouses shall be as specified in Tables B105.2 and B105.1(2).

SECTION 260. Appendix B, Section B105.3 is hereby amended to read as follows:

B105.3 ~~Water supply for buildings equipped with an automatic sprinkler system~~ Mobile Home Parks.

~~For buildings equipped with an approved automatic sprinkler system, the water supply shall be capable of providing the greater of:~~

- ~~1. The automatic sprinkler system demand, including hose stream allowance.~~
2. The required fire-flow. The required fire-flow for mobile home parks shall be 1,250 gallons per minute (4731.765 L/min) (2,000 gallons (7570.824 L/min) per minute in the high fire hazard severity zones) for a duration of two hours and with public hydrant spacing of not more than 600 feet (182.88 m) apart. For recreational buildings located within a mobile home park, the fire-flow and duration shall be according to the fire-flow calculation area set forth in Table B105.1(2).

SECTION 261. Appendix B, Section B105.4 is hereby added to read as follows:

B105.4 Land Subdivision Projects.

For the subdivision of undeveloped land for other than single-family dwellings, due to the undetermined building size and type of construction, the required fire-flow shall be 4,000 gallons per minute (15,141.6 L/min) for a duration of four hours with public hydrant spacing of 300 feet (91.44 m). The required fire-flow for the subdivision of land consisting of lots having existing structures shall be in accordance with Table B105.1(2) for fire-flow and duration.

SECTION 262. Appendix B, Table B105.1(1) is hereby amended to read as follows:

Table B105.1(1)

Required Fire Flow for One- and Two-Family Dwellings and Group R-3 and R-4 Buildings and Townhouses

FIRE-FLOW CALCULATION AREA (square feet)	AUTOMATIC SPRINKLER SYSTEM (Design Standard)	MINIMUM FIRE-FLOW (gallons per minute)	FLOW DURATION (hours)
0-3,600	No automatic sprinkler system	1,000	1
3,601 and greater	No automatic sprinkler system	Value in Table B105.1(2)	Duration in Table B105.1(2) at the required fire-flow rate
0-3,600	Section 903.3.1.3 of the California Los Angeles County Fire Code or Section R313.3 of the California Los Angeles County Residential Code	500	1/2
3,601 and greater	Section 903.3.1.3 of the California Los Angeles County Fire Code or Section R313.3 of the California Los Angeles County Residential Code	1 1/2 value in Table B105.1(2)	1

For SI: 1 square foot = 0.0929 m², 1 gallon per minute = 3.785 L/m.

SECTION 263. Appendix B, Table B105.2 is hereby amended to read as follows:

Table B105.2

Required Fire Flow for Buildings Other Than One- and Two-Family Dwellings, and Group R-3 and R-4 Buildings and Townhouses

AUTOMATIC SPRINKLER SYSTEM (Design Standard)	MINIMUM FIRE-FLOW (gallons per minute)	FLOW DURATION (hours)
No automatic sprinkler system	Value in Table B105.1(2)	Duration in Table B105.1(2)
Section 903.3.1.1 or 903.3.1.2 of the California Los Angeles County Fire Code	2550 % of the value in Table B 105.1(2) ^a	Duration in Table B 105.1(2) at the reduced flow rate

For SI: 1 gallon per minute = 3.785 L/m.

a. The reduced fire-flow shall be not less than 1,500~~0~~ gallons per minute.

SECTION 264. Appendix C, Section C101.1 is hereby amended to read as follows:

C101.1 Scope.

~~In addition to the requirements of Section 507.5.1 of the California Fire Code,~~
 Fire hydrants shall be provided in accordance with this appendix for the protection of buildings, or portions of buildings, hereafter constructed or moved into the jurisdiction.

Exception: [SFM] Group B, S-2 and U occupancies having a floor area not exceeding 1,000 square feet, primarily constructed of non-combustible exterior walls with wood or steel roof framing, having a Class A roof assembly, with uses limited to the following or similar uses:

1. California State Parks buildings of an accessory nature (restrooms).
2. Safety roadside rest areas, (SRRAs), public restrooms.

3. Truck inspection facilities, (TIF), CHP office space and vehicle inspection bays.

4. Sand/salt storage buildings, storage of sand and salt.

SECTION 265. Appendix C, Section C102 is hereby amended to read as follows:

C102 ~~NUMBER OF FIRE HYDRANTS~~ LOCATION.

SECTION 266. Appendix C, Section C102.1 is hereby amended to read as follows:

C102.1 ~~Minimum number of fire hydrants for a building~~ Fire Hydrant Locations.

~~The number of fire hydrants available to a building shall be not less than the minimum specified in Table C102.1~~ Fire hydrants shall be provided at intersections and along required fire apparatus access roads and adjacent public streets.

SECTION 267. Appendix C, Section C102.2 is hereby added to read as follows:

C102.2 Location on Street.

Public hydrants shall be required on both sides of the street whenever streets are 64 feet or greater in width containing four or more traffic lanes or have raised median center dividers that make access to hydrants difficult, cause time delays, and/or create an undue hazard as determined by the fire code official.

SECTION 268. Appendix C, Section C103 is hereby amended to read as follows:

C103 ~~FIRE HYDRANT SPACING~~ NUMBER OF HYDRANTS

C103.1 ~~Hydrant spacing~~ Fire Hydrants Available.

~~Fire apparatus access roads and public streets providing required access to buildings in accordance with Section 503 of the California Fire Code shall be provided with one or more fire hydrants, as determined by Section C102.1. Where more than one fire hydrant is required, the distance between required fire hydrants shall be in accordance with Sections C103.2 and C103.3~~ The minimum number of fire hydrants available to a building, complex or subdivision shall not be less than that determined by the spacing requirements in Section C105 and Section C106 when applied to fire apparatus access roads and perimeter public streets from which fire operations could be conducted.

SECTION 269. Appendix C, Section C103.2 is hereby deleted as follows:

~~C103.2 Average spacing.~~

~~The average spacing between fire hydrants shall be in accordance with Table C102.1.~~

Exception: ~~The average spacing shall be permitted to be increased by 10 percent where existing fire hydrants provide all or a portion of the required number of fire hydrants.~~

SECTION 270. Appendix C, Section C103.3 is hereby deleted as follows:

~~C103.3~~ ~~Maximum spacing.~~

~~The maximum spacing between fire hydrants shall be in accordance with Table C102.1.~~

SECTION 271. Appendix C, Section C104.1 is hereby amended to read as follows:

C104.1 Existing ~~f~~Fire ~~h~~Hydrants.

Existing fire hydrants on public streets are allowed to be considered as available ~~to meet the requirements of Sections C102 and C103.~~ Existing fire hydrants on adjacent properties ~~are allowed~~ shall not to be considered unless ~~as available to meet the requirements of Sections C102 and C103 provided that a fire apparatus access road~~ extends between properties and that an ~~easement~~ is ~~is~~ are established to prevent obstruction of such roads.

SECTION 272. Appendix C, Table C102.1 is hereby deleted in entirety as follows:

~~TABLE C102.1 REQUIRED NUMBER AND SPACING OF FIRE HYDRANTS~~

FIRE-FLOW REQUIREMENT (gpm)	MINIMUM NUMBER OF HYDRANTS	AVERAGE SPACING BETWEEN HYDRANTS^{a, b, c, f,} g (feet)	MAXIMUM DISTANCE FROM ANY POINT ON STREET OR ROAD FRONTAGE TO A HYDRANT^{d, f, g}
1,750 or less	1	500	250
2,000-2,250	2	450	225
2,500	3	450	225

FIRE-FLOW REQUIREMENT (gpm)	MINIMUM NUMBER OF HYDRANTS	AVERAGE SPACING BETWEEN HYDRANTS^{a, b, c, f, g} (feet)	MAXIMUM DISTANCE FROM ANY POINT ON STREET OR ROAD FRONTAGE TO A HYDRANT^{d, f, g}
3,000	3	400	225
3,500-4,000	4	350	210
4,500-5,000	5	300	180
5,500	6	300	180
6,000	6	250	150
6,500-7,000	7	250	150
7,500 or more	8 or more ^e	200	120

For SI: 1 foot = 304.8 mm, 1 gallon per minute = 3.785 L/m.

a. — Reduce by 100 feet for dead-end streets or roads.

b. — Where streets are provided with median dividers that cannot be crossed by firefighters pulling hose lines, or where arterial streets are provided with four or more traffic lanes and have a traffic count of more than 30,000 vehicles per day, hydrant spacing shall average 500 feet on each side of the street and be arranged on an alternating basis.

c. — Where new water mains are extended along streets where hydrants are not needed for protection of structures or similar fire problems, fire hydrants shall be provided at spacing not to exceed 1,000 feet to provide for transportation hazards.

d. — Reduce by 50 feet for dead-end streets or roads.

e. — One hydrant for each 1,000 gallons per minute or fraction thereof.

f. — A 50-percent spacing increase shall be permitted where the building is equipped throughout with an approved automatic sprinkler system in accordance with Section 903.3.1.1 of the *International Fire Code*.

g. — A 25-percent spacing increase shall be permitted where the building is equipped throughout with an approved automatic sprinkler system in accordance with Section 903.3.1.2 or 903.3.1.3 of the *International Fire Code* or Section P2904 of the *International Residential Code*.

SECTION 273. Appendix C, Section C105 is hereby amended to read as follows:

**C105 ~~REFERENCED STANDARDS~~DISTRIBUTION OF FIRE
HYDRANTS**

ICC IFC—15 International Fire Code C101.1,
 C103.1,
 Table
 C102.1

ICC IRC—15 International Residential Code Table
 C102.1

SECTION 274. Appendix C, Section C105.1 is hereby added to read as follows:

C105.1 Hydrant Spacing.

Fire hydrants shall be spaced in accordance with Sections C105.2 through C105.4.

SECTION 275. Appendix C, Section C105.2 is hereby added to read as follows:

C105.2 One- and Two-Family Dwellings, and Group R-3

Buildings.

For one- and two-family dwellings, and Group R-3 buildings, fire hydrants shall be spaced no more than 600 feet (182.88 m) apart. For urban properties with more than one dwelling unit per acre, no portion of lot frontage should be more than 450 feet (137.16 m) away, via vehicular access, from a public hydrant. For non-urban properties less than one dwelling unit per acre, no portion of a structure shall be farther than

750 feet (228.6 m) away, via vehicular access, from a properly spaced public hydrant that meets the required fire-flow.

SECTION 276. Appendix C, Section C105.3 is hereby added to read as follows:

C105.3 Buildings Other than One- and Two-Family Dwellings, and Group R-3 Buildings.

For all occupancies other than one- and two-family dwellings, and Group R-3 buildings, including commercial, industrial, multi-family dwellings, private schools, and institutions, fire hydrant spacing shall be 300 feet (91.44 m). No portion of lot frontage shall be more than 200 feet (60.96 m) from, via vehicular access, a public hydrant. No portion of a building shall be more than 400 feet (121.92 m) from, via vehicular access, a properly spaced public hydrant.

SECTION 277. Appendix C, Section C105.4 is hereby added to read as follows:

C105.4 Cul-de-Sac Hydrant Location.

When cul-de-sac depth exceeds 450 feet (137.16 m) (residential) or 200 feet (60.96 m) (commercial), hydrants shall be required at mid-block. Additional hydrants will be required if hydrant spacing exceeds specified distances in Sections C105.2 and C105.3.

SECTION 278. Appendix C Section C106 is hereby added to read as follows:

C106 On-Site Hydrants.

C106.1 Required On-Site Hydrants.

When any portion of a proposed structure exceeds the allowable distances from a public hydrant, via vehicular access, on-site hydrants shall be provided. The spacing distance between on-site hydrants shall be 300 to 400 feet (91.44 to 121.92 m). All on-site fire hydrants shall have, at a minimum, a fire-flow of 1,250 gallons per minute (4732 L/min) at 20 psi (137.895 kPa) for a duration of two hours. If more than one on-site fire hydrant is required, the fire-flow shall be in accordance with Table B105.1. All on-site hydrants shall be installed a minimum of 25 feet (7620 mm) from a structure or protected by a two-hour firewall.

Exception: For fully sprinklered multi-residential structures, on-site hydrants may be installed a minimum of 10 feet (3.05 m) from the structure.

SECTION 279. Appendix D, Section D101.1 is hereby amended to read as follows:

D101.1 Scope.

Fire apparatus access roads shall be in accordance with Section 503, this appendix, and all other applicable requirements of the ~~California~~ Los Angeles County Fire Code.

SECTION 280. Appendix D, Section D102.1 is hereby amended to read as follows:

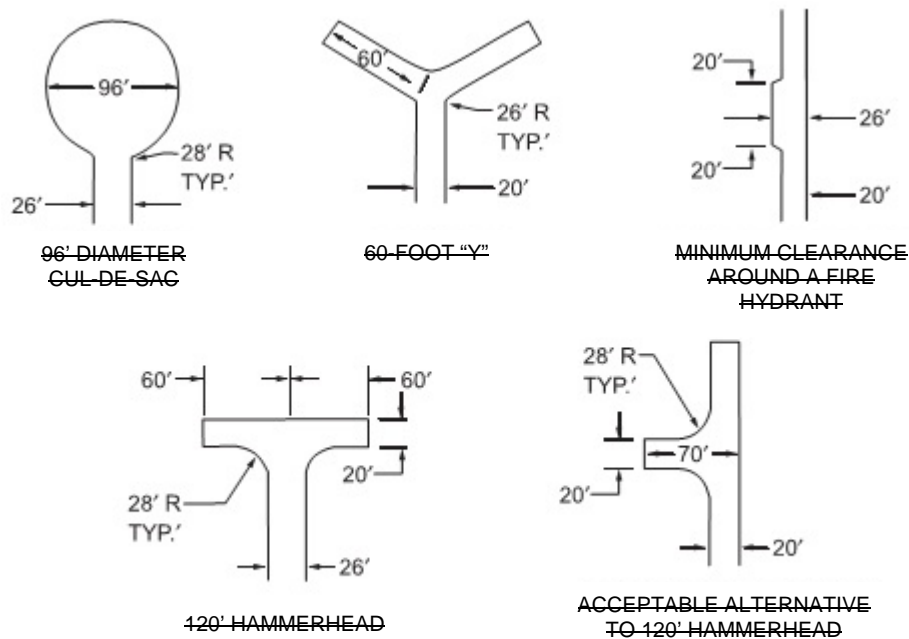
D102.1 Access and loading.

Facilities, buildings or portions of buildings hereafter constructed shall be accessible to Fire Department apparatus by way of an approved fire apparatus access

road with an asphalt, concrete or other approved driving surface capable of supporting the imposed load of fire apparatus weighing at least 75,000 pounds (34,050 kg).

Exception: For single lot single-family residential developments, the fire apparatus access road must be capable of supporting the imposed load of fire apparatus weighing at least 50,000 pounds (22,700 kg).

SECTION 281. Appendix D, Figure D103.1, including the diagrams, is hereby deleted in its entirety:



For SI: 1 foot = 304.8 mm.

FIGURE D103.1 ~~DEAD-END FIRE APPARATUS ACCESS ROAD~~
TURNAROUND

SECTION 282. Appendix D, Section D103.1 is hereby amended to read as follows:

D103.1 ~~Access road width with a hydrant~~ **Single Lot Single-Family Residential.**

~~Where a fire hydrant is located on a fire apparatus access road, the minimum road width shall be 26 feet (7925 mm), exclusive of shoulders (see Figure D103.1)~~ Fire apparatus access roads shall have an unobstructed width of not less than 20 feet (6096 mm) exclusive of shoulders and an unobstructed vertical clearance of clear to the sky.

SECTION 283. Appendix D, Section D103.2 is hereby amended to read as follows:

D103.2 ~~Grade~~ **Commercial, Industrial, and Multiple-Family Residential Developments.**

~~Fire apparatus access roads shall not exceed 10 percent in grade.~~

~~**Exception:** Grades steeper than 10 percent as *approved* by the Fire Chief.~~

For buildings not exceeding three stories or with an eave height not exceeding 30 feet (9144 mm) in height, fire apparatus access roads shall have an unobstructed width of not less than 26 feet (7925 mm) exclusive of shoulders and an unobstructed vertical clearance of clear to the sky.

For buildings exceeding three stories or with an eave height exceeding 30 feet (9144 mm) in height, fire apparatus access roads shall have an unobstructed width of

not less than 28 feet (8535 mm) exclusive of shoulders and an unobstructed vertical clearance of clear to the sky.

SECTION 284. Appendix D, Section D103.3 is hereby amended to read as follows:

D103.3 ~~Turning radius~~Access Road Width With a Hydrant.

~~The minimum turning radius shall be determined by the fire code official.~~Where a fire hydrant is located on a fire apparatus access road, the minimum road width shall be 26 feet (7925 mm), for a distance of 25 feet (7620 mm) on each side of the hydrant, exclusive of shoulders~~(see Figure D103.1).~~

SECTION 285. Appendix D, Section D103.4 is hereby amended to read as follows:

D103.4 ~~Dead ends~~Grade.

~~Dead end fire apparatus access roads in excess of 150 feet (45 720 mm) shall be provided with width and turnaround provisions in accordance with Table D103.4.~~Fire apparatus access roads shall not exceed 150 percent in grade.

Exception: ~~Grades~~For a fire apparatus access road serving no more than two single-family dwellings, grades shall not exceed ~~steeper than~~ 120 percent when ~~as~~ approved by the fire code official ~~chief~~. Grades between 15.1% percent and 20% percent shall not exceed a maximum cumulative total of 500 feet (152.4 m) as measured over the entire length of the access roadway.

SECTION 286. Appendix D, Section D103.5 is hereby amended to read as follows:

D103.5 Fire apparatus access road gates Turning Radius.

~~Gates securing the fire apparatus access roads shall comply with all of the following criteria:~~

~~1. Where a single gate is provided, the gate width shall be not less than 20 feet (6096 mm). Where a fire apparatus road consists of a divided roadway, the gate width shall be not less than 12 feet (3658 mm).~~

~~2. Gates shall be of the swinging or sliding type.~~

~~3. Construction of gates shall be of materials that allow manual operation by one person.~~

~~4. Gate components shall be maintained in an operative condition at all times and replaced or repaired when defective.~~

~~5. Electric gates shall be equipped with a means of opening the gate by Fire Department personnel for emergency access. Emergency opening devices shall be *approved by the fire code official.*~~

~~6. Methods of locking shall be submitted for approval by the *fire code official.*~~

~~7. Electric gate operators, where provided, shall be *listed* in accordance with UL 325.~~

~~8. Gates intended for automatic operation shall be designed, constructed and installed to comply with the requirements of ASTM F 2200.~~

The minimum turning radius shall be determined by the fire code official not less than 32 feet (9754 mm) when measured at the centerline of the required access roadway.

SECTION 287. Appendix D, Section D103.6 is hereby amended to read as follows:

D103.6 Signs Dead-Ends.

~~Where required by the fire code official, fire apparatus access roads shall be marked with permanent NO PARKING FIRE LANE signs complying with Figure D103.6. Signs shall have a minimum dimension of 12 inches (305 mm) wide by 18 inches (457 mm) high and have red letters on a white reflective background. Signs shall be posted on one or both sides of the fire apparatus road as required by Section D103.6.1 or D103.6.2 width and turnaround provisions in accordance with Table D103.4.~~Dead-end fire apparatus access roads in excess of 150 feet (45,720 mm) shall be provided with an approved turnaround. See Figure D103.6(1) and (2). The turnaround shall be oriented on the access roadway in the proper direction of travel.

SECTION 288. Appendix D, Section D103.6.1 is hereby deleted as follows:

D103.6.1 Roads 20 to 26 feet in width.

~~Fire lane signs as specified in Section D103.6 shall be posted on both sides of fire apparatus access roads that are 20 to 26 feet wide (6096 to 7925 mm).~~

SECTION 289. Appendix D, Section D103.6.2 is hereby deleted as follows:

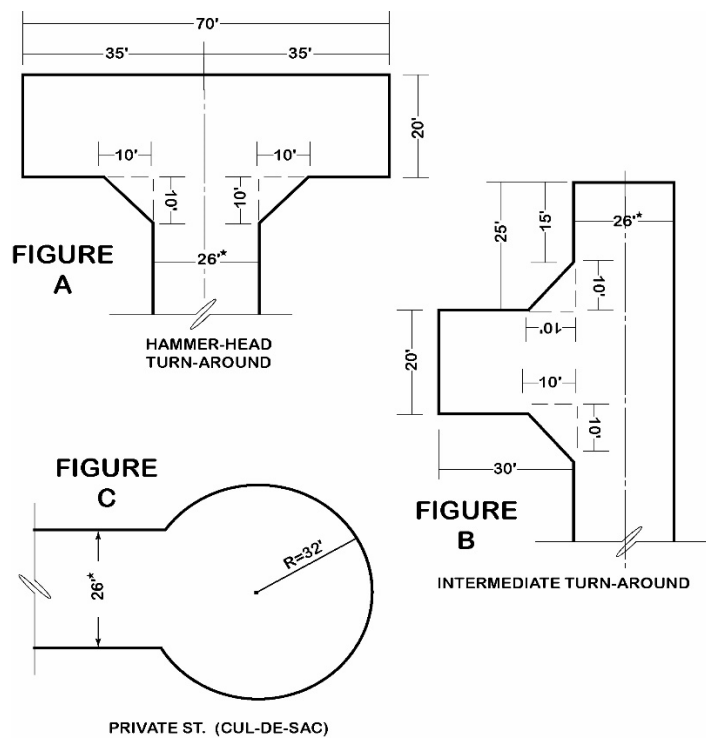
~~D103.6.2~~ ————— ~~Roads more than 26 feet in width.~~

~~Fire lane signs as specified in Section D103.6 shall be posted on one side of fire apparatus access roads more than 26 feet wide (7925 mm) and less than 32 feet wide (9754 mm).~~

SECTION 290. Appendix D, Figure D103.6(1) is hereby added as follows:

Figure D103.6(1)

Fire Apparatus Turnaround Standard Pumper

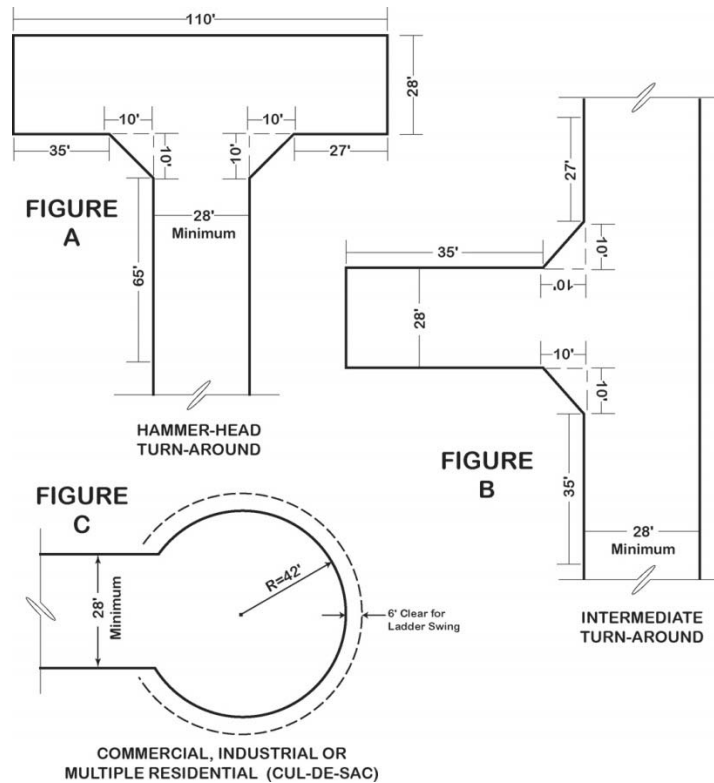


★ MAY BE REDUCED TO 20' FOR SINGLE FAMILY RESIDENCES

SECTION 291. Appendix D, Figure D103.6(2) is hereby added as follows:

Figure D103.6(2)

Fire Apparatus Turnaround Standard Aerial Apparatus



SECTION 292. Appendix D, Table D103.4 is hereby deleted as follows:

TABLE D103.4 — REQUIREMENTS FOR DEAD-END FIRE APPARATUS

ACCESS ROADS

LENGTH (feet)	WIDTH (feet)	TURNAROUNDS REQUIRED
0-150	20	None required
151-500	20	120-foot Hammerhead, 60-foot "Y" or 96-foot diameter cul-de-sac in accordance with Figure D103.1

LENGTH (feet)	WIDTH (feet)	TURNAROUNDS REQUIRED
501-750	26	120-foot Hammerhead, 60-foot "Y" or 96-foot diameter cul-de-sac in accordance with Figure D103.1
Over 750		Special approval required

For SI: 1 foot = 304.8 mm.

SECTION 293. Appendix D, Section D103.7 is hereby added to read as follows:

D103.7 Fire Apparatus Access Road Gates.

Gates securing the fire apparatus access roads shall comply with all of the following criteria:

1. Where a single gate is provided, the gate width shall be not less than 20 feet (6096 mm). Where a fire apparatus road consists of a divided roadway, the gate width shall be not less than 152 feet (36584572 mm) for residential use and 20 feet (6096 mm) for commercial/industrial uses.
2. Gates shall be of the swinging or sliding type.
3. Construction of gates shall be of materials that allow manual operation by one person.
4. Gate components shall be maintained in an operative condition at all times and replaced or repaired when defective.

5. Electric gates shall be equipped with a means of opening the gate by Fire Department personnel for emergency access. Emergency opening devices shall be approved by the fire code official.

6. Methods of locking shall be submitted for approval by the fire code official.

7. Electric gate operators, where provided, shall be listed in accordance with UL 325.

8. Gates intended for automatic operation shall be designed, constructed, and installed to comply with the requirements of ASTM F 2200.

SECTION 294. Appendix D, Section D103.8 is hereby added to read as follows:

D103.8 Signs.

Where required by the fire code official, fire apparatus access roads shall be marked with permanent "NO PARKING—FIRE LANE" signs complying with Section 22500.1 of the California Vehicle Code. Signs shall have a minimum dimension of 12 inches (305 mm) wide by 18 inches (457 mm) high and have red letters on a white reflective background. Signs shall be posted on one or both sides of the fire apparatus road as required.

SECTION 295. Appendix D, Section D104 is hereby amended to read as follows:

D104 ~~COMMERCIAL AND INDUSTRIAL~~
DEVELOPMENTS AERIAL FIRE APPARATUS ACCESS ROADS

SECTION 296. Appendix D, Section D104.1 is hereby amended to read as follows:

D104.1 ~~Buildings exceeding three stories or 30 feet in height~~Where Required.

~~Buildings or facilities exceeding 30 feet (9144 mm) or three stories in height shall have at least two means of fire apparatus access for each structure~~Where the vertical distance between the access roadway grade plane and the highest roof surface exceeds 30 feet (9144 mm), approved aerial fire apparatus access roads shall be provided. For purposes of this section, the highest roof surface shall be determined by measurement to the eave of a pitched roof, the intersection of the roof to the exterior wall, or the top of parapet walls, whichever is greater.

SECTION 297. Appendix D, Section D104.2 is hereby amended to read as follows:

D104.2 ~~Buildings exceeding 62,000 square feet in area~~Width.

~~Buildings or facilities having a gross *building area* of more than 62,000 square feet (5760 m²) shall be provided with two separate and *approved* fire apparatus access roads.~~

Exception: ~~Projects having a gross *building area* of up to 124,000 square feet (11 520 m²) that have a single *approved* fire apparatus access road when all buildings are equipped throughout with *approved automatic sprinkler systems*.~~

Aerial fire apparatus access roads shall have a minimum unobstructed width of 28 feet (8535 mm), exclusive of shoulders, in the immediate vicinity of the building or portion thereof.

SECTION 298. Appendix D, Section D104.3 is hereby amended to read as follows:

D104.3 ~~Remoteness~~Proximity To Building.

~~Where two fire apparatus access roads are required, they shall be placed a distance apart equal to not less than one half of the length of the maximum overall diagonal dimension of the lot or area to be served, measured in a straight line between accesses~~At least one of the required access routes meeting this condition shall be located within a minimum of 15 feet (4572 mm) and a maximum of 30 feet (9144 mm) from the building, and shall be positioned parallel to one entire side of the building. The side of the building on which the aerial fire apparatus access road is positioned shall be approved by the fire code official.

Exception: When approved by the fire code official, the required setback may be modified for residential and mixed-use residential developments less than five stories in height when additional fire protection measures are provided.

SECTION 299. Appendix D, Section D104.4 is hereby added to read as follows:

D104.4 Obstructions.

Overhead utility and power lines shall not be located over the aerial fire apparatus access road or between the aerial fire apparatus road and the building.

Other obstructions shall be permitted to be placed with the approval of the fire code official.

SECTION 300. Appendix D, Section D105 is hereby amended to read as follows:

D105 AERIAL FIRE APPARATUS ACCESS

ROADS REFERENCED STANDARDS

ASTM	F 2200—13	Standard Specification for Automated Vehicular Gate Construction	D103.7
UL	325—02	Door, Drapery, Gate, Louver, and Window Operators and Systems, with Revisions through June 2013	D103.7

SECTION 301. Appendix D, Section D105.1 is hereby deleted as follows:

~~D105.1 ————— Where required.~~

~~Where the vertical distance between the grade plane and the highest roof surface exceeds 30 feet (9144 mm), approved aerial fire apparatus access roads shall be provided. For purposes of this section, the highest roof surface shall be determined by measurement to the eave of a pitched roof, the intersection of the roof to the exterior wall, or the top of parapet walls, whichever is greater.~~

SECTION 302. Appendix D, Section D105.2 is hereby deleted as follows:

~~D105.2 ————— Width.~~

~~Aerial fire apparatus access roads shall have a minimum unobstructed width of 26 feet (7925 mm), exclusive of shoulders, in the immediate vicinity of the building or portion thereof.~~

SECTION 303. Appendix D, Section D105.3 is hereby deleted as follows:

~~**D105.3 Proximity to building.**~~

~~At least one of the required access routes meeting this condition shall be located within a minimum of 15 feet (4572 mm) and a maximum of 30 feet (9144 mm) from the building, and shall be positioned parallel to one entire side of the building. The side of the building on which the aerial fire apparatus access road is positioned shall be approved by the fire code official.~~

SECTION 304. Appendix D, Section D105.4 is hereby deleted as follows:

~~**D105.4 Obstructions.**~~

~~Overhead utility and power lines shall not be located over the aerial fire apparatus access road or between the aerial fire apparatus road and the building. Other obstructions shall be permitted to be placed with the approval of the fire code official.~~

SECTION 305. Appendix D, Section D106 is hereby deleted as follows:

~~**SECTION D106 MULTIPLE-FAMILY RESIDENTIAL DEVELOPMENTS**~~

~~**D106.1 Projects having more than 100 dwelling units.**~~

~~Multiple-family residential projects having more than 100 *dwelling units* shall be equipped throughout with two separate and *approved* fire apparatus access roads.~~

~~**Exception:** Projects having up to 200 *dwelling units* may have a single *approved* fire apparatus access road when all buildings, including nonresidential occupancies, are equipped throughout with *approved automatic sprinkler systems* installed in accordance with Section 903.3.1.1 or 903.3.1.2.~~

~~D106.2~~ Projects having more than 200 dwelling units.

~~Multiple-family residential projects having more than 200 dwelling units shall be provided with two separate and approved fire apparatus access roads regardless of whether they are equipped with an approved automatic sprinkler system.~~

~~D106.3~~ Remoteness.

~~Where two fire apparatus access roads are required, they shall be placed a distance apart equal to not less than one-half of the length of the maximum overall diagonal dimension of the property or area to be served, measured in a straight line between accesses.~~

SECTION 306. Appendix D, Section D107 is hereby deleted as follows:

~~D107~~ ONE- OR TWO-FAMILY RESIDENTIAL DEVELOPMENTS

~~D107.1~~ One- or two-family dwelling residential developments.

~~Developments of one- or two-family dwellings where the number of dwelling units exceeds 30 shall be provided with two separate and approved fire apparatus access roads.~~

Exceptions:

~~1. Where there are more than 30 dwelling units on a single public or private fire apparatus access road and all dwelling units are equipped throughout with an approved automatic sprinkler system in accordance with Section 903.3.1.1, 903.3.1.2 or 903.3.1.3 of the International Fire Code, access from two directions shall not be required.~~

~~2. The number of dwelling units on a single fire apparatus access road shall not be increased unless fire apparatus access roads will connect with future development, as determined by the fire code official.~~

~~**D107.2 Remoteness.**~~

~~Where two fire apparatus access roads are required, they shall be placed a distance apart equal to not less than one-half of the length of the maximum overall diagonal dimension of the property or area to be served, measured in a straight line between accesses.~~

SECTION 307. Appendix D, Section D108 is hereby deleted as follows:

~~**D108 REFERENCED STANDARDS**~~

ASTM	F 2200—13	Standard Specification for Automated Vehicular Gate Construction	D103.5
ICC	IFC—15	International Fire Code	D101.1, D107.1
UL	325—02	Door, Drapery, Gate, Louver, and Window Operators and Systems, with Revisions through June 2013	D103.5

SECTION 308. Appendix N, Section N101.2 is hereby amended to read as follows:

N101.2 Permits.

An place of assembly operational permit shall be required ~~for to operate~~ temporary amusement haunted houses, ghost walks, or similar amusement uses in accordance with Appendix N101.2.

SECTION 309. Appendix N, Section N101.2.1 is hereby amended to read as follows:

N101.2.1 Permit Documents.

The permit application applicant shall submit construction documents for approval which include, at a minimum, a dimensioned site plan and floor plan.

...

SECTION 310. Appendix N, Section N101.3 is hereby added to read as follows:

N101.3 Jurisdictional Building and Planning Department Approval.

Approval to operate a temporary amusement haunted house or similar use or to change the approved use of an existing building, or portion thereof, for temporary amusement haunted house or similar use shall be approved by the jurisdictional building official and planning official prior to the Fire Department's final construction approval and issuance of an operational permit.

SECTION 311. Appendix N, Section N102.2 is hereby amended to read as follows:

N102.2 TEMPORARY AMUSEMENT HAUNTED HOUSE.

A temporary building or structure, or portion thereof, which contains a system that transports passengers or provides a walkway through a course so arranged that the means of egresses are not apparent due to theatrical distractions, not visible due to low illumination, are disguised or are not readily available due to the method of

transportation through the building or structure usually used during the Halloween season for amusement or entertainment purposes where decorative materials, props, visual effects, or audio effects are utilized to create theatrical environment. A temporary amusement haunted house may be deemed a special amusement building by the fire code official depending on the floor plan layout, lighting, or visual distractions used and the effects those elements have on identifying and accessing the means of egress in the event of a fire or an emergency.

SECTION 312. Appendix N, Section N102.3 is hereby amended to read as follows:

N102.3 GHOST WALKS.

Similar to temporary amusement haunted houses and may include both indoor and outdoor areas ~~where the means of egresses are similarly not readily identifiable~~ used for amusement or entertainment purposes.

SECTION 313. Appendix N, Section N102.4 is hereby added to read as follows:

N102.4 TEMPORARY.

Temporary shall mean amusement use of buildings or structures, or portion thereof, at one location for not more than 90 days within a one-year period.

SECTION 314. Appendix N, Section N102.5 is hereby added to read as follows:

N102.5 SPECIAL AMUSEMENT BUILDING.

Any temporary or permanent building or portion thereof that is occupied for amusement, entertainment, or educational purposes, and that contains a device or system that conveys passengers or provides a walkway along, around, or over a course in any direction so arranged that the means of egress path is not readily apparent due to visual or audio distractions or is intentionally confounded or is not readily available because of the nature of the attraction or mode of conveyance through the building or structure.

SECTION 315. Appendix N, Section N103.1 is hereby amended to read as follows:

N103.1 Allowable sStructures.

Temporary amusement ~~H~~ haunted houses, ghost walks, and similar amusement uses which meet the definition of a Special Amusement Building shall only be located in structures that comply with the provisions for Special Amusement Buildings in accordance with the California Building Code, and any applicable requirements in the County Code.

SECTION 316. Appendix N, Section N103.7 is hereby amended to read as follows:

N103.7 Fire ~~p~~Protection.

Temporary amusement Hhaunted houses, ghost walks, and similar amusement uses which meet the definition of a Special Amusement Building shall be provided with fire protection systems in accordance with Appendix N103.7.

...

SECTION 317. Appendix N, Section N103.7.2 is hereby amended to read as follows:

N103.7.2 Fire ~~d~~Detection ~~s~~Systems.

An approved automatic fire detection system shall be provided in accordance with Section 907.2.12, as required for Special aAmusement ~~b~~Buildings.

SECTION 318. Appendix N, Section N103.7.4 is hereby amended to read as follows:

N103.7.4 Emergency ~~v~~Voice ~~a~~Alarm.

Provide an emergency voice/alarm communication system in accordance with Section 907.2.12.3 as required for Special aAmusement ~~b~~Buildings.

SECTION 319. Appendix N, Section N103.9 is hereby amended to read as follows:

N103.9 Decorative mMaterials and Interior Finishes.

Interior wall, ceiling, and floor finishes shall be Class A rated in accordance with the California Building Code, and any applicable requirements in the County Code.

SECTION 320. Appendix N, Section N103.15 is hereby amended to read as follows:

N103.15 Maintenance.

Good housekeeping shall be maintained at all times throughout exhibit and exit pathways. The means of egress system shall not be obstructed during event operation.

SECTION 321. Appendix O is hereby added to read as follows:

APPENDIX O RIFLE RANGE

O101 GENERAL

O101.1 Scope.

Rifle ranges shall comply with the basic fire and life safety requirements in this appendix.

O101.2 Permits.

A permit from the fire code official is required to establish, maintain, or operate a rifle range. Applications for permits shall be referred to the chief law enforcement officer for approval.

O102 DEFINITIONS

RIFLE RANGE. Any indoor or outdoor firing, shooting, or target range established, maintained, or operated for the discharge of a rifle, pistol, revolver, shotgun, or firearm.

O103 RANGE OFFICER

O103.1 Supervision.

Rifle ranges shall not be operated or maintained without the supervision of a qualified range officer.

O103.2 Qualifications.

To qualify as a range officer, individuals shall demonstrate to the fire code official and chief law enforcement officer their knowledge of firearms and ammunition, including the general rules of safety and the provisions of this code relative thereto. Individuals shall possess a valid certificate stating he or she is a qualified range officer.

O104 AMMUNITION

O104.1 Inspection and Disposal.

Ammunition shall be inspected and approved by the range officer before permission to fire or discharge the same is granted. Ammunition that will not fire or discharge or which is otherwise defective shall be surrendered to the range officer for safe disposal.

O105 FIRE APPLIANCES

O105.1 Portable Fire Appliances.

Rifle ranges shall be equipped with portable fire appliances and other equipment required by the fire code official. Additional fire-prevention measures required by the fire code official shall be provided.

O106 VEGETATION

O106.1 Removal.

Rifle ranges, including striking grounds, shall be completely clear of vegetation within a safe distance from the firing line.

O107 SIGNAGE

O107.1 Warnings.

Rifle ranges which are not fenced shall be posted with approved warning posters or signs to notify and protect the public from danger.

SECTION 322. Appendix P is hereby added to read as follows:

APPENDIX P LOCAL AGENCY VERY HIGH FIRE HAZARD SEVERITY

ZONES

P101 GENERAL

P101.1 Scope.

This appendix defines Local Agency Very High Fire Hazard Severity Zones and provides the legal description of the geographic areas for the installation of fire sprinkler systems in occupancies as required by Section 903.2.11.7.

P101.2 DEFINITIONS

See Chapter 49 for definitions.

P102 LOCAL AGENCY VERY HIGH FIRE HAZARD SEVERITY

ZONES

P102.1 General.

Local Agency Very High Fire Hazard Severity Zones, as defined in Section 4902.1 of this code, are hereby designated in those areas as specified in Sections P102.2 and P102.3 of Appendix P. See also Chapter 49.

P102.2 Designation of Local Agency Very High Fire Hazard Severity Zones (VHFHSZ) in Incorporated Cities of the Consolidated Fire Protection District of Los Angeles County.

The following incorporated cities are designated as being located wholly or in part in the Local Responsibility Area Very High Fire Hazard Severity Zone: Agoura Hills, Azusa, Bradbury, Calabasas, Claremont, Covina, Diamond Bar, Duarte, Glendora, Hidden Hills, Irwindale, La Canada Flintridge, La Habra, La Mirada, Malibu, Palmdale, Palos Verdes Estates, Pomona, Rancho Palos Verdes, Rolling Hills, Rolling Hills Estates, San Dimas, Santa Clarita, Walnut, Westlake Village, and Whittier.

P102.3 Designation of Local Agency Very High Fire Hazard Severity Zones (VHFHSZ) in Unincorporated Areas of Los Angeles County.

The following unincorporated areas located near the following jurisdictions are designated as being located wholly or in part in the Local Responsibility Area Fire Hazard Severity Zones: Angeles National Forest, City of Hidden Hills, parcels between the City of Agoura Hills and the City of Calabasas, Santa Monica Mountains, parcels south of the City of Diamond Bar, parcels north of the City of Whittier, San Dimas, Covina, West Covina, parcels located east of the Cities of Covina and West Covina, Universal City, parcels west of Rolling Hills, Baldwin Hills, Catalina Island, Claremont,

Claremont Island, Glendora, Azusa, La Habra Heights, Whittier, West Hills and Valley Boulevard, the Malibu-Santa Monica Mountains Area, and the San Gabriel Mountains Southface Area.

P102.4 Parcel Identification.

All map and parcel identification, fire hazard severity zone designation, and other information for those areas as specified in Sections P102.2 and P102.3 shall be accessible to property owners and the public at a Fire Department's fire prevention engineering unit office or at the Forestry Division's fuel modification unit office.

P102.5 Periodic Review.

The fire code official shall periodically review the areas in the Consolidated Fire Protection District of Los Angeles County identified as Fire Hazard Severity Zones pursuant to this section, and as necessary, make recommendations to revise the Fire Hazard Severity Zones. See California Government Code Sections 51175 through 51189.

**P103 MALIBU-SANTA MONICA MOUNTAINS AND THE
SAN GABRIEL MOUNTAINS SOUTHFACE AREAS**

P103.1 General.

Malibu-Santa Monica Mountains and the San Gabriel Mountains Southface Areas are hereby designated in those areas as specified in Sections P103.2 and P103.3 of Appendix P. See also Section 903.2.11.7.

P103.2 Malibu-Santa Monica Mountains Area.

Beginning at a point where the Los Angeles County-Ventura County boundary line meets the Pacific Ocean mean high tide line. This being the true point of beginning. Thence, northeasterly along said Los Angeles County boundary line and all its various courses to the City of Los Angeles boundary line along the southerly line of Section 9, Township 1 North, Range 17 West, San Bernardino Base Meridian. Thence, southeasterly along said city boundary and all its various courses to the Pacific Ocean mean high tide line. Thence, westerly along said mean high tide line and all its various courses to the point of the beginning.

P103.3 San Gabriel Mountains Southface Area.

Beginning at a point where Interstate 5 Freeway and Latitude 34 degrees, 21 minutes (Northern Hemisphere) intersect. This being the true point of beginning. Thence, east along said Latitude of 34 degrees, 21 minutes to the Los Angeles County-San Bernardino County boundary line. Thence, south along the Los Angeles County Boundary to State Highway 30 (Baseline Road). Thence, west on State Highway 30 to Interstate Freeway 210, along Interstate 210 Freeway to the Interstate 5 Freeway. Thence, north on said Interstate 5 Freeway to the point of beginning.

SECTION 323. Appendix Q is hereby added to read as follows:

APPENDIX Q FIRE PREVENTION FIELD PERMITS

Q101 FEES

The applicant shall pay the fee shown in this section, which covers plan review and site inspection only. All applications and reviews are subject to additional hourly fees for fire safety officers, if deemed necessary by the fire code official.

Q101.1 Permit Fees.

Proposed Activity	Fee
Activities in Hazardous Fire Areas	\$314.00
Aerosol Products	\$314.00
Amusement Buildings	\$314.00
Automobile Wrecking Yard	\$314.00
Aviation Facility	\$314.00
Battery Systems Stationary	\$314.00
Bonfires or Rubbish Fires	\$314.00
Carnival and Fair Requirements	\$314.00
Cellulose Nitrate Film	\$314.00
Combustible Dust Producing Operations	\$314.00
Combustible Fibers	\$314.00
Commercial Rubbish Handling Operation	\$314.00
Compressed Gases	\$314.00
Covered Mall Buildings	\$314.00
Cryogenics Fluids	\$314.00
Cutting and Welding Permit	\$314.00
Dipping Operations	\$314.00
Dry Cleaning Plants	\$314.00
Exhibits and Trade Shows	\$314.00
Explosives	\$314.00
Fire Hydrants and Valves	\$314.00
Fireworks Display	\$314.00
Flammable or Combustible Liquids	\$314.00
Floor Finishing	\$314.00
Fruit and Crop Ripening	\$314.00
Fumigation/Thermal Insecticidal Fogging	\$314.00
Hazardous Production Materials	\$314.00
Hazardous Materials	\$314.00

Proposed Activity	Fee
High Piled Combustible Storage	\$314.00
Hot Work Operations	\$314.00
HPM Facilities	\$314.00
Industrial Ovens	\$314.00
Liquid Gas-Fueled Vehicles or Equipment	\$314.00
LP Gas	\$314.00
Lumber Yard and Woodworking	\$314.00
Magnesium	\$314.00
Miscellaneous Combustible Storage	\$314.00
Model Rockets	\$314.00
Oil and Natural Gas Wells	\$314.00
Open Burning	\$314.00
Open Flames and Candles	\$314.00
Open Flames and Torches	\$314.00
Organic Coating	\$314.00
Pallet Yards	\$314.00
Parade Float	\$314.00
Places of Assembly	\$314.00
Private Firefighting Resources	\$314.00
Private Fire Hydrants	\$314.00
Pyroxylin Plastics	\$314.00
Radioactive Materials	\$314.00
Recreational Fires	\$314.00
Refrigeration Equipment	\$314.00
Repair Garage/Automotive/Marine/Fleet Fuel Dispensing	\$314.00
Rifle Range	\$314.00
Emergency Helicopter Landing Facility for High-Rise Buildings	\$314.00
Spraying or Dipping	\$314.00
Storage of Scrap Tires and By-Products	\$314.00
Tank/Cistern	\$314.00
Tank Removal	\$314.00
Temporary Sales Lots	\$314.00
Temporary Tents, Canopies, Membrane Structures	\$314.00
Tire Rebuilding Plants	\$314.00
Tire Storage	\$314.00
Special Events	\$314.00

Q101.2 Fire Sprinkler System Plan Check Fees.

Type of Sprinkler System Plan	Fee
New NFPA 13D fire sprinkler system: one or two family dwelling	\$463.00
New NFPA 13R fire sprinkler system: multifamily family dwellings	\$579.00
New NFPA 13 fire sprinkler system:< 100 heads per system	\$463.00
New NFPA 13 fire sprinkler system:> 100 heads per system	\$694.00
TI to NFPA 13 fire sprinkler system:< 25 heads without calculation	\$231.00
TI to NFPA 13 fire sprinkler system:> 25 heads and < 100 heads with/without calculation	\$347.00
TI to NFPA 13 fire sprinkler system:>100 heads with/without calculation	\$579.00
Underground fire protection system: single hydrant or single riser connection	\$289.00
Underground fire protection system: 5 or more additional connections for hydrants or risers	\$463.00
Standpipe System (Class I,II, & III)	\$463.00
NFPA #22 fire water storage tank	\$463.00
Special hazard fire extinguishing foam water spray nozzle system	\$463.00
Fire Pump Installation	\$579.00
Fire Flow Test Witness/Perform	\$231.00
Fire Sprinkler System Field Inspection Fees	
New NFPA 13D fire sprinkler system: one or two family dwelling	\$314.00
New NFPA 13R fire sprinkler system: multifamily family dwellings	\$629.00
New NFPA 13 fire sprinkler system:< 100 heads per system	\$629.00
New NFPA 13 fire sprinkler system:> 100 heads per system	\$786.00
TI to NFPA 13 fire sprinkler system:< 25 heads without calculation	\$314.00
TI to NFPA 13 fire sprinkler system:> 25 heads and < 100 heads with/without calculation	\$472.00
TI to NFPA 13 fire sprinkler system:>100 heads with/without calculation	\$550.00
Underground fire protection system: single hydrant or single riser connection	\$314.00
Underground fire protection system: 5 or more additional connections for hydrants or risers	\$629.00

Q101.3 Fire Alarm System Plan Check Fees.

Plan Check	Fee
Emergency Responder Radio Coverage	\$925.00
Fire Sprinkler Monitoring system & Fire Alarm System with <10 devices	\$231.00
Fire Alarm System: 11-50 devices	\$405.00
Fire Alarm System: 51-90 devices	\$579.00
Fire Alarm System: 91-130 devices	\$694.00
Fire Alarm System: > 131 devices	\$810.00

Plan Check	Fee
Special Extinguishing Systems: CO2, FM 200, Foam Liquid Systems, Inert Gas (Halon, Inergen)	\$347.00

Q101.4 Fire Alarm System Field Inspection Fees.

Type of Inspection	Fee
Emergency Responder Radio Coverage	\$1,256.00
Fire Sprinkler Monitoring System & Fire Alarm System with <10 devices	\$314.00
Fire Alarm System: 11-50 devices	\$472.00
Fire Alarm System: 51-90 devices	\$550.00
Fire Alarm System: 91-130 devices	\$629.00
UL-300 System (hood systems)	\$314.00
Halon System/FM 200	\$314.00

Q101.5 Building Plan Review Plan Check Fees.

Type of Review	Fee
Dwelling, One and Two Family	\$463.00
Multi-Family Residence	\$636.00
Commercial (B, F, S, M)	\$636.00
Assembly Occupancy	\$579.00
Hazardous Occupancy	\$752.00
High Rise Buildings over 75 Feet in Height	\$1,389.00
Educational/Institutional Occupancy	\$868.00
High Piled Combustible Storage	\$463.00
Hazardous Materials Review (1-50 chemicals)	\$636.00
Hazardous Materials Review (51-100 chemicals)	\$1,041.00
Site Plan Review - Water and Access	\$463.00

Q101.6 Miscellaneous Building Plan Review Fees.

Alternative Materials and Methods Review	\$452.00
Additional plan review after initial review and one resubmittal (per hour)	\$116.00
Expedited review (each two hours + initial fee)	\$231.00
Pre-Submittal Meeting (initial two-hours)	\$231.00
Plan review time (per hour) for modifications, re-stamp (minimum 1-hour)	\$116.00

Q101.7 Construction Field Inspection Fees.

Dwelling, One and Two Family	\$314.00
Multi-Family Residence	\$314.00
Commercial (B, F, S, M)	\$472.00

Assembly Occupancy	\$472.00
Hazardous Occupancy	\$393.00
High Rise Buildings over 75 Feet in Height	\$629.00
Educational/Institutional Occupancy	\$314.00
High Piled Combustible Storage	\$943.00
Repair Garage	\$393.00
Tank Installation or Removal	\$393.00
Tenant Improvements Projects	\$314.00

Q101.8 Miscellaneous Field Inspection Fees.

The following inspections shall be billed at the current hourly fire safety officer rate:

Building/Life Safety Final (Fire Department Clearance)
Gasoline dispensing EVR systems
High-rise building annual life/safety inspections
Special Priority Inspections, including after-hour, additional technical assistance, and others whereby deemed necessary by the fire code official.

SECTION 324. Findings in Support of Adoption of More Restrictive Building Standards.

The provisions of this ordinance contain various changes, modifications, and additions to the 2016 California Fire Code. Some of those changes are administrative in nature in that they do not constitute changes or modifications to requirements contained in the building standards adopted by the State Fire Marshall and published in the California Building Standards Code. Pursuant to Health and Safety Code Sections 17958.5, 17958.7, and 18941.5, the Board of Supervisors hereby expressly finds and determines that all of the changes and modifications to requirements

contained in the building standards published in the California Building Standards Code, contained in this ordinance, which are not administrative in nature, are reasonably necessary because of local climatic, geological, or topographical conditions in the County of Los Angeles and in the Consolidated Fire Protection District of Los Angeles County. This expressed finding is supported and based upon the following more specific determinations:

CLIMATIC - The County of Los Angeles is located in an area subject to climatic conditions with long periods of low humidity and hot weather, combined with unpredictable seasonal high winds (Santa Ana wind conditions), resulting in increased exposure to fire risk. This combination of events creates an environment that is conducive to rapidly spreading fires. Control of such fires requires rapid response. With the time that is required to deal with potential obstacles from the wind, such as fallen trees, street lights, and utility poles, in addition to the time required to climb 75 feet vertically up flights of stairs, the ability to respond rapidly is negatively impacted. Additionally, there is a significant increase in the amount of wind at 60 feet above the ground. Use of aerial-type firefighting apparatus above this height would place rescue personnel at increased risk of injury. High winds will also cause burning embers to become airborne resulting in the rapid spread of a fire to nearby structures. Immediate containment of a fire is the only method by which it can be controlled during high wind conditions. In high fire severity zones, a unique combination of low humidity, strong winds, and dry vegetation exists.

GEOLOGICAL - The County of Los Angeles is located in the middle of the seismically active area identified as Seismic Zone 4. The viability of the public water system would be questionable at best after a major seismic event. Tall buildings would become vulnerable to uncontrolled fires due to a lack of available water and an inability to pump sufficient quantities of any available water to floors above the 55-foot level. A severe seismic event has the potential to negatively impact any rescue or fire suppression activities because it is likely to create significant physical obstacles and logistical challenges. With the probability of strong aftershocks, there exists a need to provide increased protection for anyone on upper floors.

Geological conditions created by the numerous faults will result in increased fire danger to structures, delayed Fire Department response, and unique rescue challenges. Seismic events of sufficient magnitude will cause substantial damage to structures. These damages are likely to be accompanied by a substantial number of fires that may exceed the Fire Department suppression capabilities. Accordingly, built-in fire suppression systems provide the only adequate measure to mitigate the potential hazards from and damage caused by such fires.

The County of Los Angeles is subject to occasional severe rainstorms. The impacts from these rainstorms are exacerbated if hillside areas have been burned by wildland fires because significant mud and debris flows can occur. Mud and debris flows can impair Fire Department access or delay response times if access roads are obstructed by mud or debris.

TOPOGRAPHICAL - The topographical conditions of the County of Los Angeles includes many mountains, hills, and canyons which tend to accelerate the periodic high-velocity winds by means of a venturi effect. These canyon winds and the significant growth of vegetation of a combustible nature increase the fire danger. Additionally, long periods of dry, hot weather, combined with unpredictable seasonal winds (Santa Ana wind conditions) result in increased exposure to fire risk. The hillside areas have access roads that are narrow, steep, and contain many sharp curves, all of which makes timely response by large fire apparatus difficult.

The specific sections of this code that constitute more restrictive building standards are identified in the table set forth below. The more restrictive building standards contained in this code and identified in the table below shall be applicable only in those cities served by the District which have ratified the aforesaid sections in accordance with California Health and Safety Code Section 13869.

Section	Local Condition	Explanation and Findings
304.1.2 – Vegetation	Climatic and Topographical	Local amendment requiring brush clearance to maintain defensible space for fire operations that is necessary due to Los Angeles County's unique climate and topography to reduce risk of fire and to minimize the spreading of fire to structures.

Section	Local Condition	Explanation and Findings
316.6.1 – Structures	Climatic, Geological, and Topographical	Imposes additional requirements for the grounding of construction under high-voltage transmission lines to protect property, the public, and firefighters responding to emergencies. Necessary due to Los Angeles County's unique climate and topography to reduce risk of fire, to reduce the possibility of fires being caused by downed high-voltage transmission lines, to minimize the spreading of fires that may begin under transmission lines, and to protect firefighters responding to emergencies under transmission lines. Further necessary because risk of fire is increased due to the prevalence of earthquakes in Los Angeles County.
326.7 – Fire Protection Facilities Required	Climatic, Geological, and Topographical	Local amendment to require fire safety measures including but not limited to water supply, firebreaks, posting of fire watchers, access roads, restriction of activities during high fire hazard and other conditions to maintain reasonable fire safety. Necessary due to Los Angeles County's unique climate and topography to reduce risk of fire, to reduce the possibility of wildland fires spreading to structures, and to minimize impacts of fire. Further necessary because risk of fire is increased due to the prevalence of earthquakes in Los Angeles County.
326.12.2 – Chimneys	Climatic and Topographical	Local amendment to reduce the threat of fires by requiring spark arrestors on chimneys that is necessary due to Los Angeles County's unique climate and topography to reduce risk of fire and to minimize impacts of fire. Such spark arrestors reduce the likelihood of embers exiting a chimney and igniting a fire.
326.14 – Roadway Clearance	Climatic and Topographical	Local amendment requiring clearance of roadways to provide adequate access for firefighting apparatus, to create defensible space for fire operations, and to reduce the possibility of wildland fires spreading to structures. Necessary due to Los Angeles County's unique climate and topography.
503.1.2 – Additional Access	Climatic, Geological, and Topographical	Provides for additional access requirements necessary because of terrain, climate, or other factors that limit access. Necessary to ensure

Section	Local Condition	Explanation and Findings
		adequate response times due to the unique climatic and topographical conditions that increase the risk of fires in fire hazard severity zones. Further necessary because risk of fire is increased due to the prevalence of earthquakes in Los Angeles County.
503.2.1 – Dimensions	Climatic, Geological, and Topographical	Requires unobstructed clearance to sky on fire apparatus access roads with exception for protected tree species. Necessary to prevent obstruction of access roads by tree limbs or other obstructions and thus allow for quick response times to fires and other emergencies. Necessary to ensure adequate response times due to the unique climatic and topographical conditions that increase the risk of fires in fire hazard severity zones. Further necessary because risk of fire is increased due to the prevalence of earthquakes in Los Angeles County.
503.2.5 – Dead-Ends	Climatic, Geological, and Topographical	Provides for more stringent width, turning radius, and grade specifications for access roads to ensure access for fire apparatus. Necessary due to unique climatic and topographical conditions that increase the risk of fires. Further necessary because risk of fire is increased due to the prevalence of earthquakes in Los Angeles County.
503.4 – Obstruction of Fire Apparatus Access Roads	Climatic, Geological, and Topographical	Adds speed bumps and speed humps to list of prohibited obstructions to fire apparatus access roads. Speed bumps and speed humps reduce response times to fires and other emergencies because fire apparatus have to slow down to pass over them or drive around them. Necessary to ensure adequate response times due to the unique climatic and topographical conditions that increase the risk of fires in fire hazard severity zones. Further necessary because risk of fire is increased due to the prevalence of earthquakes in Los Angeles County.
503.4.1 – Traffic-Calming Devices	Climatic, Geological, and Topographical	Requires fire code official approval to install traffic calming devices such as speed bumps and speed humps. Such devices can reduce response times to fires and other emergencies. Necessary to ensure adequate response times

Section	Local Condition	Explanation and Findings
		due to the unique climatic and topographical conditions that increase the risk of fires in fire hazard severity zones. This section is necessary because the risk of fire is increased due to the prevalence of earthquakes in Los Angeles County.
503.7 – Fire Apparatus Access Roads in Recreational Vehicle, Mobile Home, Manufactured Housing, Sales Lots, and Storage Lots	Climatic, Geological, and Topographical	Requires fire apparatus access roads in recreational vehicle, mobile home, manufactured housing, sales lots, and storage lots. Necessary to ensure adequate water supply and access to such locations due to the unique climatic and topographical conditions that increase the risk of fires in fire hazard severity zones. Further necessary because the risk of fire is increased due to the prevalence of earthquakes in Los Angeles County.
503.7.1 – Fire Apparatus Access Roads in Mobile Home Parks and Special Occupancy Parks	Climatic, Geological, and Topographical	Requires additional fire apparatus access roads in mobile home parks and special occupancy parks. Necessary to ensure adequate water supply and access to such locations due to the unique climatic and topographical conditions that increase the risk of fires in fire hazard severity zones. Further necessary because risk of fire is increased due to the prevalence of earthquakes in Los Angeles County.
504.5 – Roof Top Barriers and Parapets	Climatic, Geological, and Topographical	Provides various design and location requirements for solar photovoltaic systems installed on roofs of buildings for residential and commercial structures. Access and spacing requirements ensure firefighter access to the roof, provide access pathways to specific areas of the roof, provide for venting cut-out areas, and to provide emergency egress from the roof. Necessary because of increased danger of fire in Los Angeles County due to climatic and topographical conditions.
507.5.1.2 – Pool Draft System in Fire Hazard Severity Zones	Climatic, Geological, and Topographical	Requires a draft hydrant for swimming pools and spas located in the fire hazard severity zone to provide a source of water to fight fires. Necessary because of unique climatic and topographical conditions that increase the risk of fires in fire hazard severity zones. Further

Section	Local Condition	Explanation and Findings
		necessary because risk of fire is increased due to the prevalence of earthquakes in Los Angeles County.
507.5.10 – Draft System Identification Sign	Climatic, Geological, and Topographical	Provides posting of sign to notify Fire Department of draft hydrant for swimming pools and spas in fire hazard severity zone. Necessary because of unique climatic and topographical conditions that increase the risk of fires in fire hazard severity zones. Further necessary because risk of fire is increased due to the prevalence of earthquakes in Los Angeles County.
901.6.3.1 – Above-Ground Water Control Valve Signs	Climatic, Geological, and Topographical	Provides signage requirements for water control valves to facilitate firefighter identification and use of said valves in an emergency. Necessary because of unique climatic and topographical conditions that increase the risk of fires in fire hazard severity zones. Further necessary because risk of fire is increased due to the prevalence of earthquakes in Los Angeles County.
901.6.3.4 – Clear Space Around Above-Ground Water Control Valve	Climatic, Geological, and Topographical	Provides clearance requirements for water control valves to facilitate firefighter identification and use of said valves in an emergency. Necessary because of unique climatic and topographical conditions that increase the risk of fires in fire hazard severity zones. Further necessary because risk of fire is increased due to the prevalence of earthquakes in Los Angeles County.
903.2.11.7 – Occupancies in Fire Hazard Severity Zones and in the Malibu-Santa Monica Mountains or San Gabriel Southface Areas	Climatic, Geological, and Topographical	Provides an additional level of protection to occupancies in case of a fire by requiring installation of automatic fire sprinklers. Necessary because of unique climatic and topographical conditions that increase the risk of catastrophic fires in fire hazard severity zones and due to the topography that reduces response times to fires. Further necessary because risk of fire is increased due to the prevalence of earthquakes in Los Angeles County.
903.4.2 – Alarms	Climatic and Geological	Requires installation of exterior fire alarm visual device. Visual alarms are necessary to warn

Section	Local Condition	Explanation and Findings
		both disabled and non-disabled persons. Necessary because of increased likelihood of fires due to climatic conditions. Further necessary because risk of fire is increased due to the prevalence of earthquakes in the Los Angeles County.
905.2.1 – Class I Standpipes; 905.2.1.1, 905.2.1.2 905.2.1.3	Climatic	Construction and installation requirements for Class I standpipes to ensure adequate fire protection systems and water supply due to fires in Los Angeles County's hot and windy climate.
905.4 – Location of Class I Standpipe Hose Connections	Climatic	Installation/Regulation of Fire Protection System to ensure proper location of hose connection to control fires in Los Angeles County's hot and windy climate.
905.5.3 – Class II System 1½-Inch Hose	Climatic	Installation and regulation of interior wet standpipes to ensure adequate fire protection system due to fires in Los Angeles County's hot and windy climate.
905.6.1 – Protection	Climatic	Local amendment regarding installation and regulation of Fire Protection System to ensure proper location of hose connection to control fires. Necessary because of increased danger of fire in Los Angeles County due to hot and windy conditions.
905.6.1.1 – Size	Climatic	Size requirements for Class III standpipes to ensure adequate fire protection system. Necessary because of increased danger of fire in Los Angeles County due to hot and windy conditions.
905.9 – Riser Shutoff Valve Supervision and Drain	Climatic	Additional requirements to fire protection system for testing, maintenance, and operation. Necessary because of increased danger of fire in Los Angeles County due to hot and windy conditions.
910.2 – Where Required	Climatic and geological	Requires smoke and heat removal for buildings. Necessary to increase ability of firefighters to respond to, and fight, fires in buildings. Necessary because of increased danger of fire in

Section	Local Condition	Explanation and Findings
		Los Angeles County due to hot and windy conditions and the prevalence of earthquakes in Los Angeles County.
910.2.1.1 – Group S-2	Climatic and geological	Requires smoke and heat removal for basement level parking garages. Necessary to increase ability of firefighters to respond to fires in parking garages. Necessary because of increased danger of fire in Los Angeles County due to hot and windy conditions and the prevalence of earthquakes in Los Angeles County.
910.3 – Design and installation 910.3.2 910.3.2.1 910.3.2.2 910.3.2.2.1 910.3.2.2.2 910.3.2.2.3 910.3.2.3 910.3.3 910.3.4 910.3.5 910.3.5.1 910.3.5.2 Table 910.3	Geological	Requirements for smoke and heat vents and mechanical smoke removal systems in buildings. Necessary because of increased danger of fire in Los Angeles County due to seismic concerns with potential water supply issues.
910.4.3 910.4.4	Geological	Requirements for smoke and heat vents and mechanical smoke removal systems in buildings. Necessary because of increased danger of fire in Los Angeles County due to seismic concerns with potential water supply issues.
912.2.1 – Visible Location	Climatic, Topographical, Geological	Requires Fire Department connections to be located within 150 feet of a public fire hydrant and at a safe distance from the building. Necessary because of increased danger of fire in Los Angeles County due to hot and windy conditions. Further necessary because the risk of fire is increased due to the prevalence of earthquakes in Los Angeles County.
912.8 – Identification	Climatic, Topographical	Requires red paint on Fire Department connections subject to rust or corrosion to identify them to firefighters and protect from the elements. Necessary because of increased

Section	Local Condition	Explanation and Findings
		danger of fire in Los Angeles County due to hot and windy conditions.
912.9 – Breakable Caps or Plugs	Climatic, Topographical	Requires breakable caps or plugs for fire hose couplings to protect them from the elements and to ensure easy access to the Fire Department connection during fires. Necessary because of increased danger of fire in Los Angeles County due to hot and windy conditions.
914.9.1 – Spray Booths	Climatic	Requires spray booths to have automatic fire sprinkler system protection under specified conditions. Necessary because of increased danger of fire in Los Angeles County due to hot and windy conditions. Further necessary because the risk of fire is increased due to the prevalence of earthquakes in Los Angeles County.
1009.9.1 – Signage for High Rise Buildings	Climatic, Geological, and Topographical	Requirements for signage warning against elevator use in an emergency. Necessary to ensure proper notice and evacuation in case of fire or other emergency. Necessary because of increased danger of fire in Los Angeles County due to hot and windy conditions. Further necessary because risk of fire and need for evacuation is increased due to the prevalence of earthquakes in Los Angeles County.
2007.9 – Emergency Helicopter Landing Facility for High-Rise Buildings	Climatic and Topographical	Provides for additional public safety evacuation/landing area on high-rise buildings. Necessary due to large number of high-rise buildings in Los Angeles County and difficulty in evacuating high-rise buildings in case of fire or other emergency.
2007.10 – Helistops in Fire Hazard Severity Zones; 2007.10.1 - Surface	Climatic and Topographical	Provides for requirements for helistops in fire hazard severity zones to enable helicopters and associated water tenders and support equipment to safely operate to conduct operations to combat fires in those areas. Necessary because of increased danger of fire in Los Angeles County due to hot and windy conditions and topography that hinders the ability for fire apparatus to gain access to remote portions of the County.

Section	Local Condition	Explanation and Findings
2007.10.2 – Hydrant	Climatic; Topographical	Requires a hydrant next to helistops in fire hazard severity zones to enable helicopters to fill their tanks to facilitate water drops on wildland fires in those areas. Necessary because of increased danger of fire in Los Angeles County due to hot and windy conditions and topography that hinders the ability for fire apparatus to gain access to remote portions of the County.
2007.10.3 – Access	Climatic; Topographical	Adopts requirements for fire apparatus access to helistops in fire hazard severity zones to enable support equipment and apparatus associated with helicopter operations to combat fires in those areas. Necessary because of increased danger of fire in the County due to hot and windy conditions and topography that hinders the ability for fire apparatus to gain access to remote portions of the County.
2404.4 – Fire Protection	Climatic	Provides for spray booths to be equipped with automatic fire sprinklers. Necessary because of increased danger of fire in Los Angeles County due to hot and windy conditions.
2503, 2504, 2505, 2506, 2507 – Fruit and Crop Ripening	Climatic and Geological	Provides requirements for fruit and crop ripening operations to prevent ignition of ethylene gas and reduce risk of fire and explosion. Necessary because of increased danger of fire in Los Angeles County due to hot and windy conditions and to reduce risk of fires and explosion from earthquakes.
2810 – Storage of Combustible Idle Pallets	Climatic	Provides requirements for the safe storage of combustible pallets to reduce risk of fire. Necessary because of increased danger of fire in Los Angeles County due to hot and windy conditions.
3104.21 – Combustible Vegetation	Climatic and Topographic	Increased clearance requirements for combustible vegetation near tents and membrane structures. Necessary to increase fire and life safety around such structures and to create defensible space. Necessary because of fire risk due to climate and unique topography of Los Angeles County.

Section	Local Condition	Explanation and Findings
Table 3206.2	Climatic and Geological	Provides for increased separation for aisles. Necessary because of unique climatic conditions that increase the risk of fires. Further necessary because risk of fire is increased due to the prevalence of earthquakes in Los Angeles County.
3505.9 – Backflash Prevention	Geological	Requires protective devices to be installed on fuel gas and oxygen lines to increase safety and reduce risk of explosion and fire. Necessary because risk of leaks or tank failure is increased due to the prevalence of earthquakes in Los Angeles County.
4907.1 – General	Climatic and Topographical	Local amendment providing that defensible space requirements shall also comply with Chapter 3 of this code. Necessary due to Los Angeles County's unique climate and topography to reduce risk of fire and to minimize impacts of fire in Fire Hazard Severity Zone.
5003.11.3.8 – Floors	Climatic and Geological	Creates requirements for floors in buildings where hazardous materials are used or stored. Necessary to increase fire and life safety and to minimize fire danger from hazardous materials. Necessary because risk of fire and spillage of hazardous materials is increased due to the prevalence of earthquakes in Los Angeles County.
5704.2.8.3 – Secondary Containment	Geological	Requires secondary containment of flammable and combustible liquids that are necessary to increase fire and life safety and to prevent fires involving flammable and combustible liquids from spreading. Necessary because risk of leaks or tank failure is increased due to the prevalence of earthquakes in Los Angeles County.
5704.2.8.16.1 – System Requirements	Climatic and Geological	Requires foam deluge system. Necessary because of increased danger of fire in Los Angeles County due to climatic conditions and because risk of leaks or tank failure is increased due to the prevalence of earthquakes in Los Angeles County.

Section	Local Condition	Explanation and Findings
5704.2.9.1.1 – Required Foam Fire Protection Systems	Geological and Climatic	Requires all aboveground tanks exceeding 1,500 square feet of liquid surface area used for the storage of Class I or Class II flammable liquids to be provided with foam fire protection. Necessary because of increased danger of fire in Los Angeles County due to climatic conditions and because risk of leaks or tank failure is increased due to the prevalence of earthquakes in Los Angeles County.
5704.2.9.6.1.3 – Location of Tanks for Boilover Liquids	Geological and Climatic	Provides for additional spacing between tanks to reduce fire danger and help prevent fire from spreading to adjacent tanks. Necessary because of increased danger of fire in Los Angeles County due to climatic conditions and because risk of leaks or tank failure is increased due to the prevalence of earthquakes in Los Angeles County.
5704.3.7.6 – Construction	Geological and Climatic	Construction and fire access requirements for liquid storage rooms. Necessary because of increased danger of fire in Los Angeles County due to climatic conditions and because risk of explosion or container failure is increased due to the prevalence of earthquakes in Los Angeles County.
5706.5.1.1 – Location	Geological and Climatic	Provides increased distances for bulk transfer and process transfer operations so that they are farther away from the public and other buildings. Necessary because of increased danger of fire in Los Angeles County due to climatic conditions and because risk of leaks or tank failure is increased due to the prevalence of earthquakes in Los Angeles County.
5706.5.1.19 – Liquid Transfer	Geological and Climatic	Class I, II, or III liquids shall be transferred from a tank vehicle or tank car only into an approved atmospheric tank or approved portable tank. Necessary because of increased danger of fire in Los Angeles County due to climatic conditions and because risk of leaks or tank failure is increased due to the prevalence of earthquakes in Los Angeles County.

Section	Local Condition	Explanation and Findings
6104.4 – Multiple LP-Gas Container Installations	Geological and Climatic	Requirements for LP gas storage tank distances. Necessary because of increased danger of fire in Los Angeles County due to climatic conditions and because risk of leaks or tank failure is increased due to the prevalence of earthquakes in Los Angeles County.
8104 – Fire Apparatus Access Roads; 8106 – Housekeeping; 8108 – Tires	Climatic and Topographical	Creates requirements for fire access roads and storage requirements for tire storage in automobile wrecking yards. Necessary to enable fire apparatus and firefighters to gain access to fight fires and respond to emergencies. Necessary because risk of fire due to climate and topography in Los Angeles County.
APPENDIX B Section B105.1 – One- and Two-Family Dwellings and Group R-3 Buildings	Topographical and Climatic	Provides for increased fire-flow in fire hazard zones to allow for more water to be available to fight fires. Necessary because of increased danger of fire in Los Angeles County due to climatic and topographical conditions.
APPENDIX B Section B105.4 – Land Subdivision Projects	Topographical and Climatic	Provides for increased fire-flow for subdivisions of land to allow for more water to be available to fight fires. Necessary because of increased danger of fire in Los Angeles County due to climatic and topographical conditions.
APPENDIX C, Section C102.2 – Location on Street	Topographical and Climatic	Provides for hydrant spacing on streets to ensure hydrants are accessible to firefighters. Necessary because of increased danger of fire in Los Angeles County due to climatic and topographical conditions.
APPENDIX C, Section C105.2 – One-family Dwelling	Topographical and Climatic	Provides for hydrant spacing to ensure that water is available to fight fires. Necessary because of increased danger of fire in Los Angeles County due to climatic and topographical conditions.

Section	Local Condition	Explanation and Findings
APPENDIX C, Section C105.3 - Buildings Other Than One- and Two-Family Dwellings, and Group R-3 Buildings	Topographical and Climatic	Provides for hydrant spacing for buildings other than One- and Two-family Dwellings, and Group R-3 Buildings to ensure that there is adequate water supply available to fight fires. Necessary because of increased danger of fire in Los Angeles County due to climatic and topographical conditions.
APPENDIX C, Section C105.4 – Cul-de-sac Hydrant Location	Topographical and Climatic	Provides for hydrant spacing for cul-de-sacs to ensure that there is adequate water supply available to fight fires. Necessary because of increased danger of fire in Los Angeles County due to climatic and topographical conditions.
APPENDIX C, Section C106 - On-Site Hydrants	Topographical and Climatic	Provides requirements for on-site hydrants to ensure that there is adequate water supply available to fight fires. Necessary because of increased danger of fire in Los Angeles County due to climatic and topographical conditions.
APPENDIX N, Section N103 – General Requirements	Topographical, Geographic, and Climatic	Provides various design and location requirements for temporary haunted houses, ghost walks, and similar amusement uses where the means of egress are not apparent due to decorative materials, confusing sounds, and/or visual effects. Necessary because of increased danger of fire in Los Angeles County due to climatic and topographical conditions and the prevalence of earthquakes in Los Angeles County.

SECTION 325. This ordinance shall become effective 30 days after it is adopted.

[TITLE32FIRECODE2016SKCC]